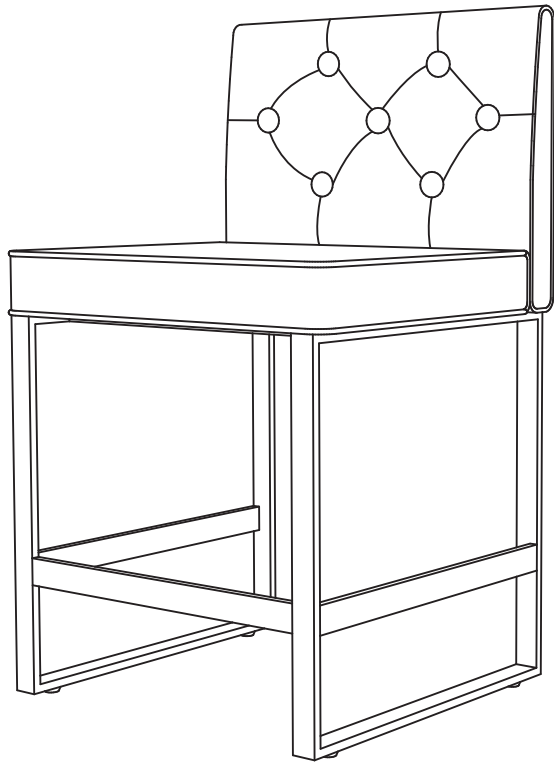

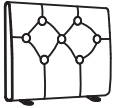
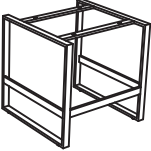


ASSEMBLY INSTRUCTION







Counter stool
SKU: 08FTC0093



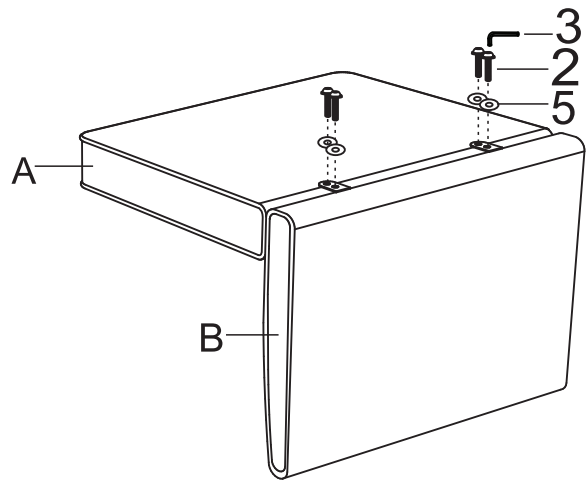
Component List

LABEL		DESCRIPTION	QTY
A		Seat	1
B		Back	1
C		Leg	1

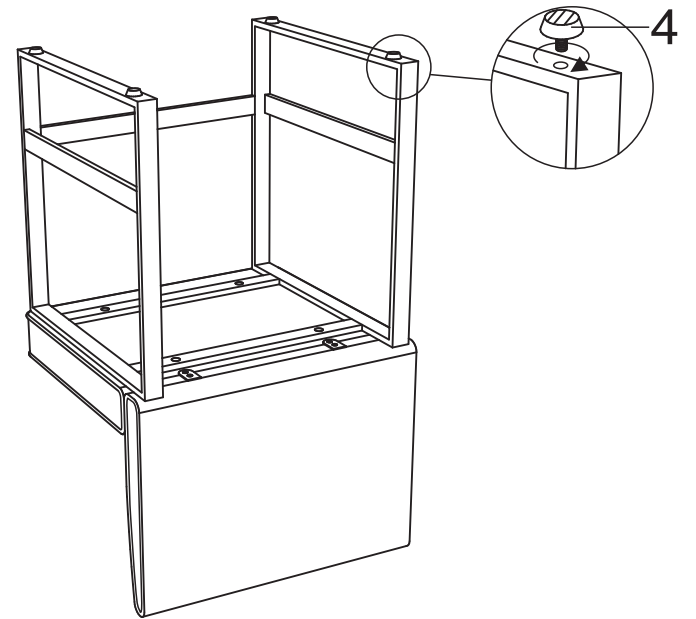
Hardware List

LABEL		DESCRIPTION	QTY
1		Bolts M6x30mm	5
2		Bolts M6x25mm	5
3		Allen key M5	1
4		Foot	1
5	 black	Washer	5
6	 white	Washer	5

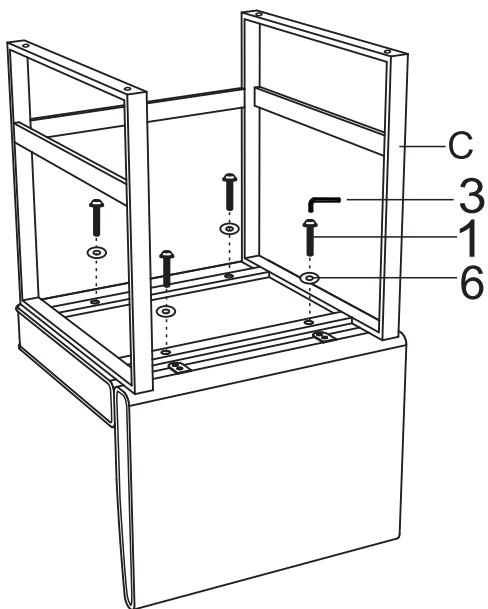
1



3



2



4

