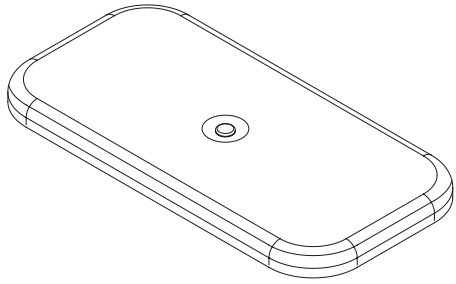
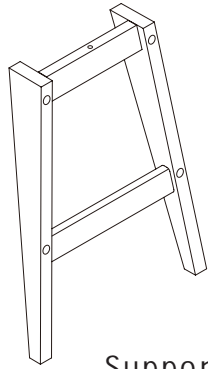


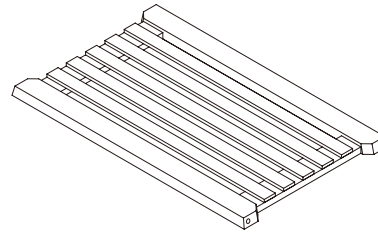
PARTS LIST



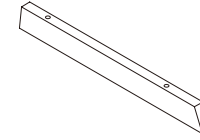
Stool Panel
A*1



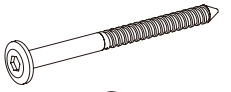
Supports
B*2



Laminate
C*1



Cross Band
D*2



① *4



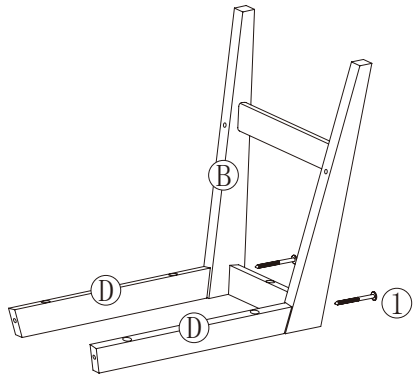
② *4



③ *6

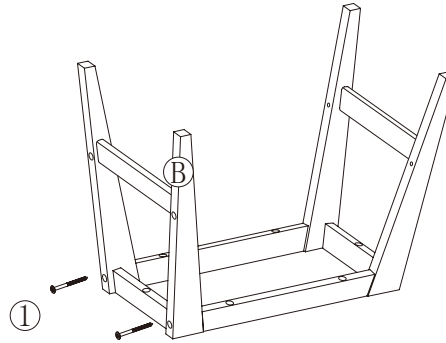
ASSEMBLY

①



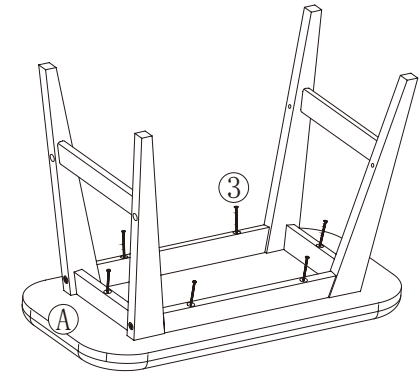
Fixing D onto the support B with screw

②



Fixing the other support with screw as well.

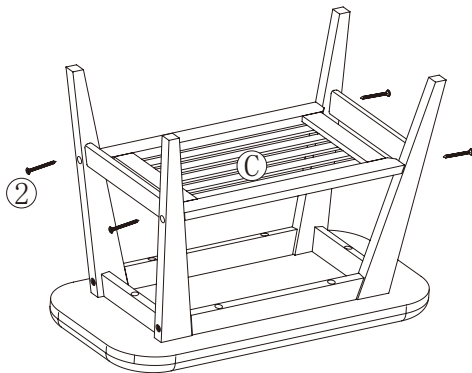
③



Assembling the panel A with screw as the marks shown on the panel.

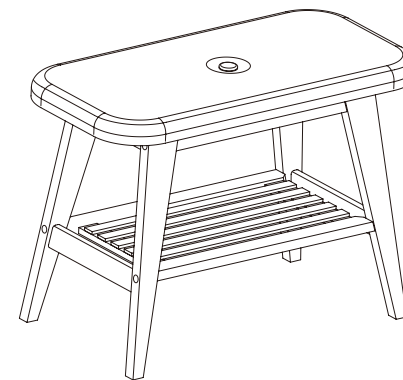
INSTRUCTION

④



Fixing the laminate C with screw

⑤



All set!