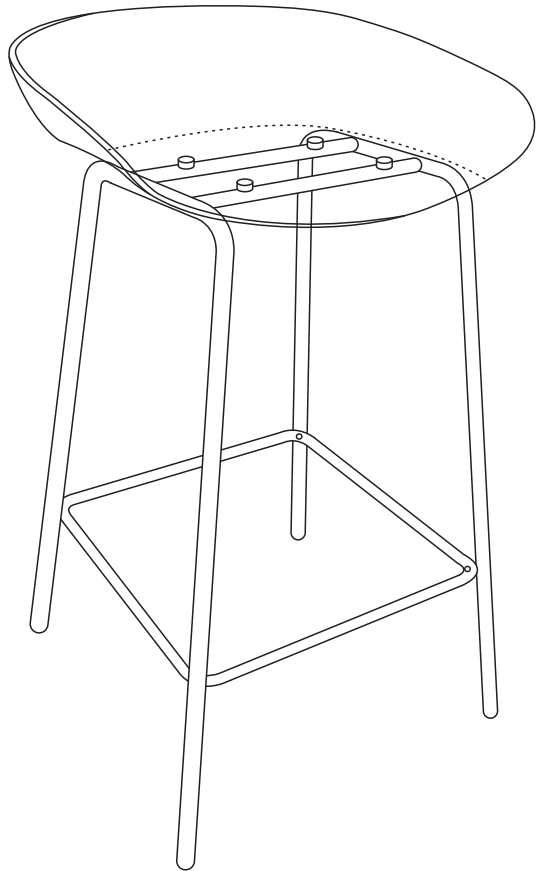
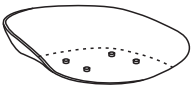
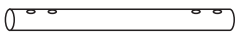


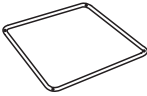


ASSEMBLY INSTRUCTION




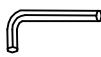

Counter stool
SKU: 08FTC0092



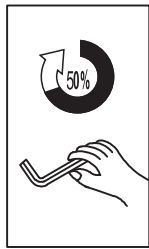
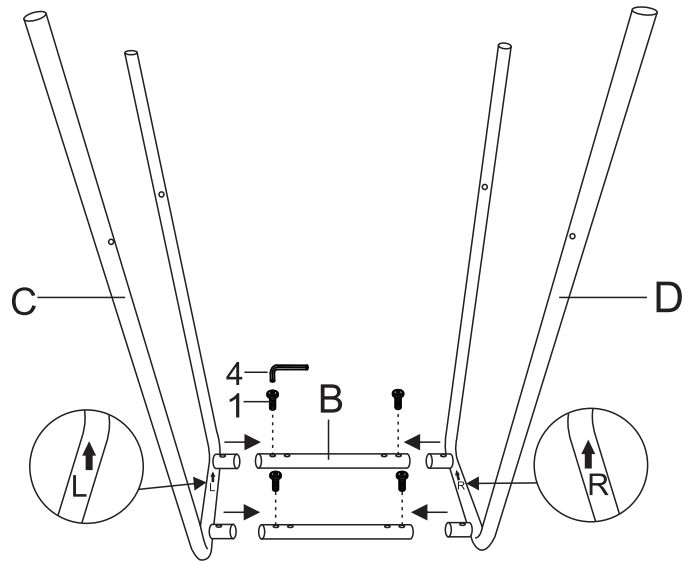
Component List

LABEL		DESCRIPTION	QTY
A		Seat	1
B		Connection	2
C		Leg	1
D		Leg	1
E		Pedal	1

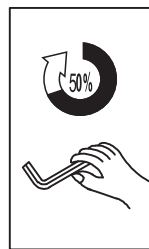
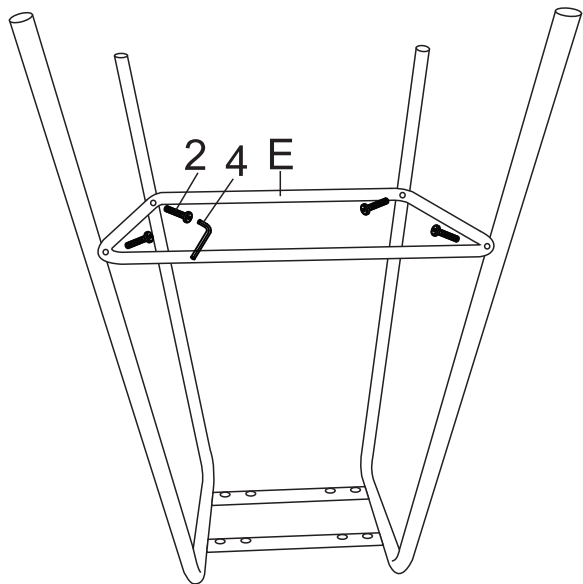
Hardware List

LABEL		DESCRIPTION	QTY
1		Bolts M6x12mm	5
2		Bolts M6x30mm	9
3		Spare Levellor	1
4		Allen key M4	1
5		Foot	5

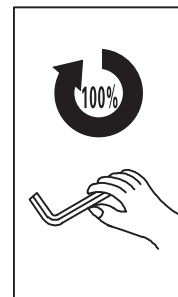
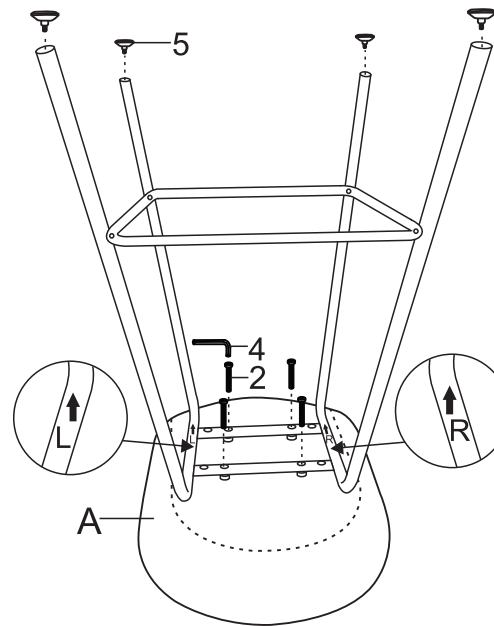
1



2



3



4

