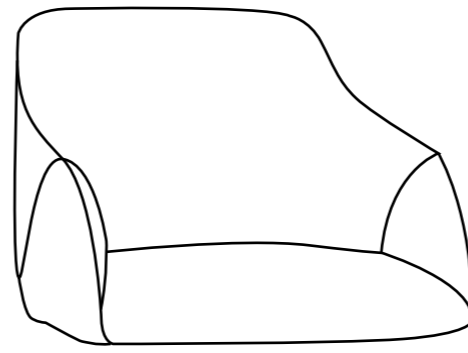
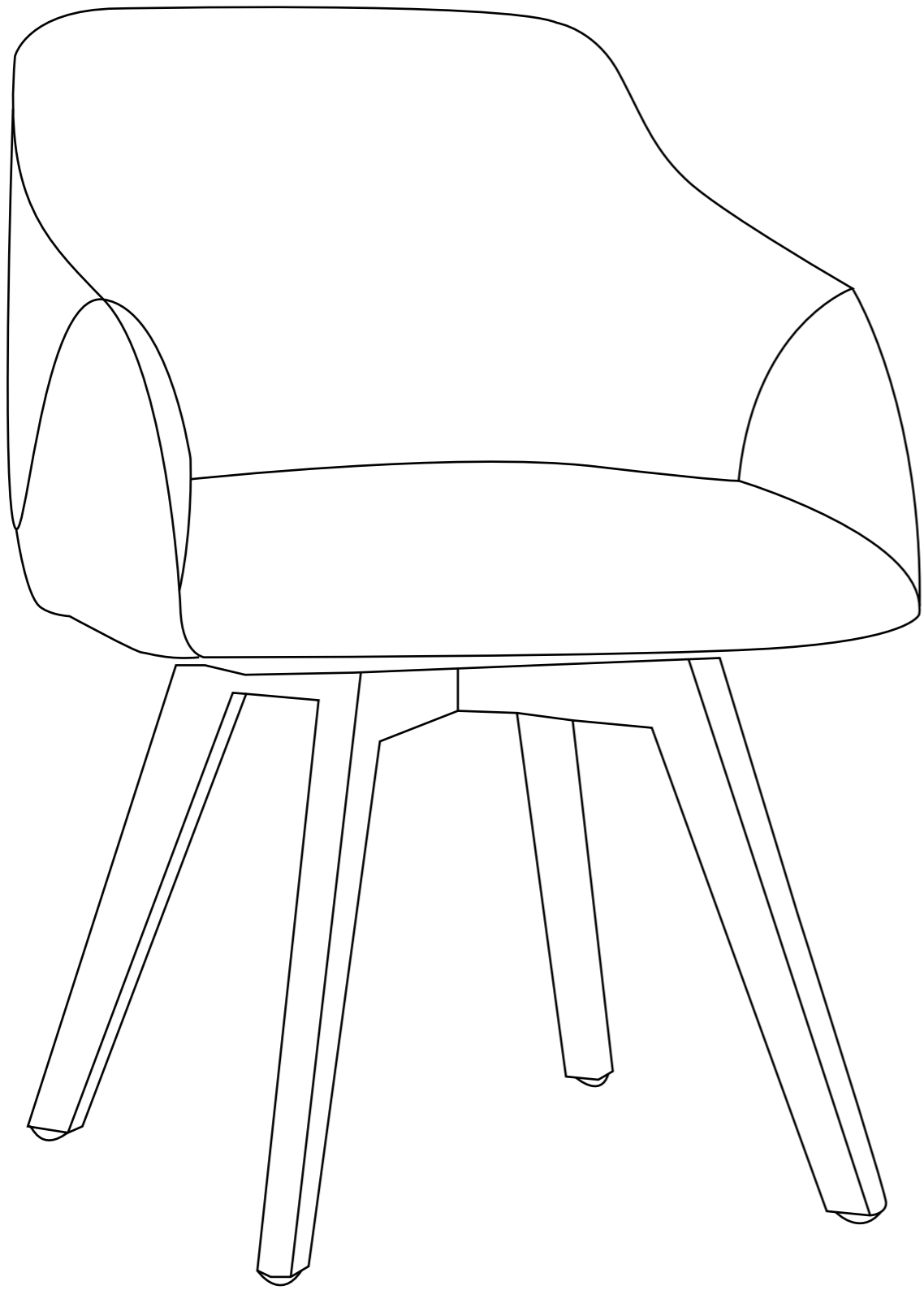
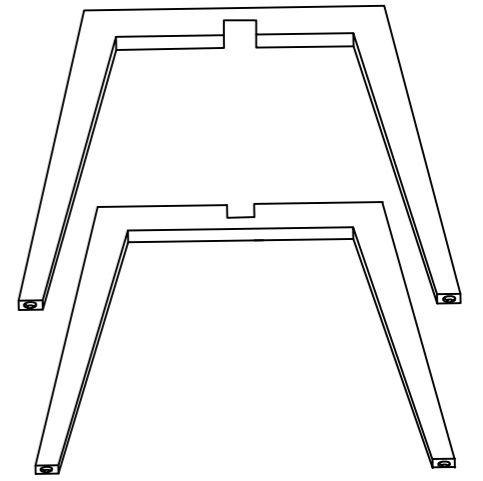


Assemble Manual

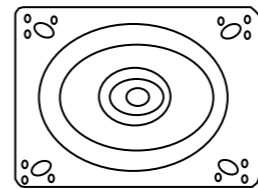


Seat x 1



Legs x 2

A



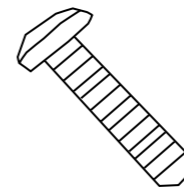
Swivel gear x 1

B



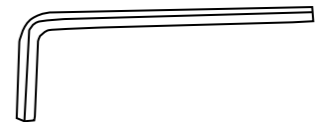
Metal plate x 1

C



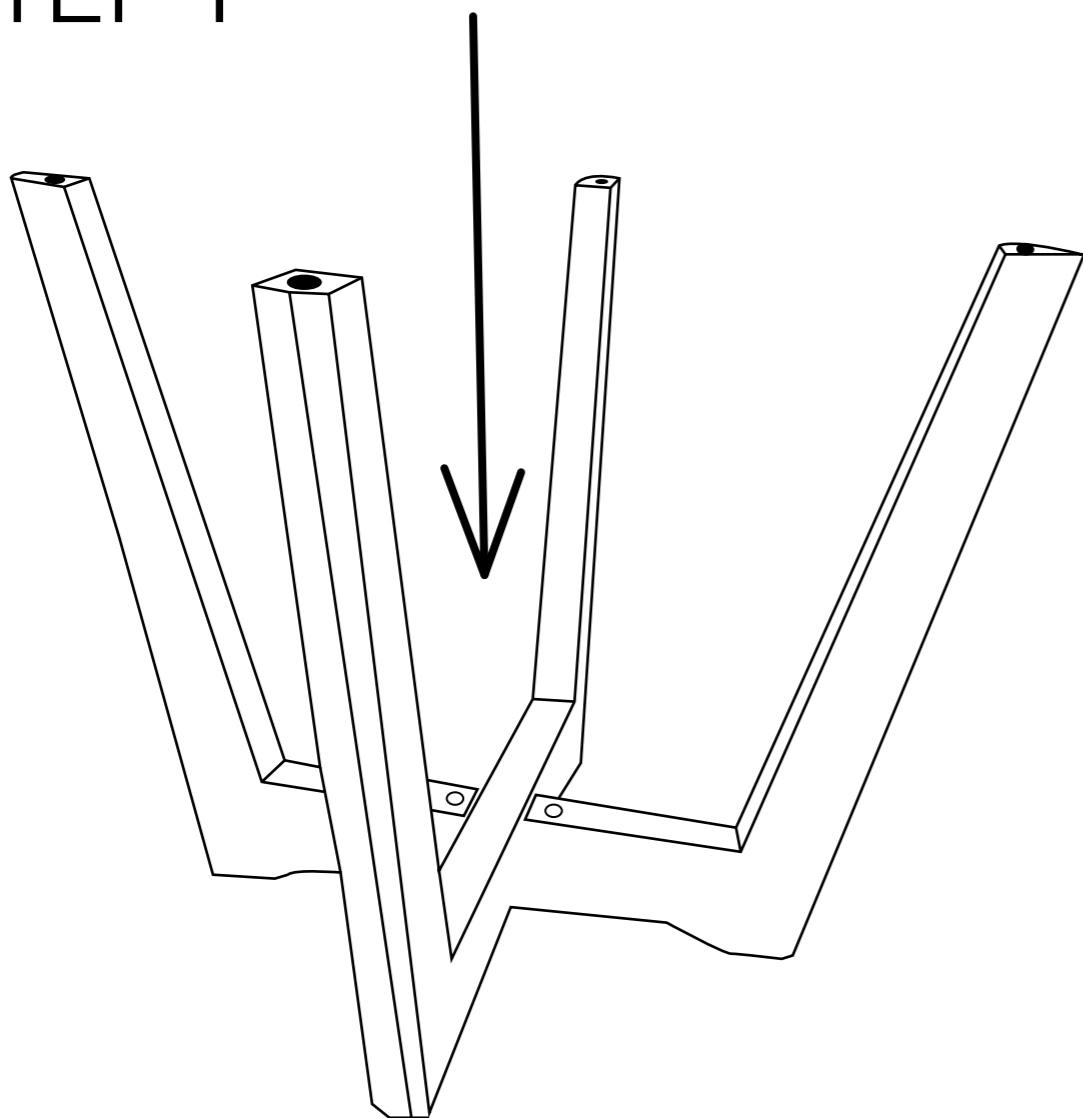
M6x25mm x 10
Spare + 1

D

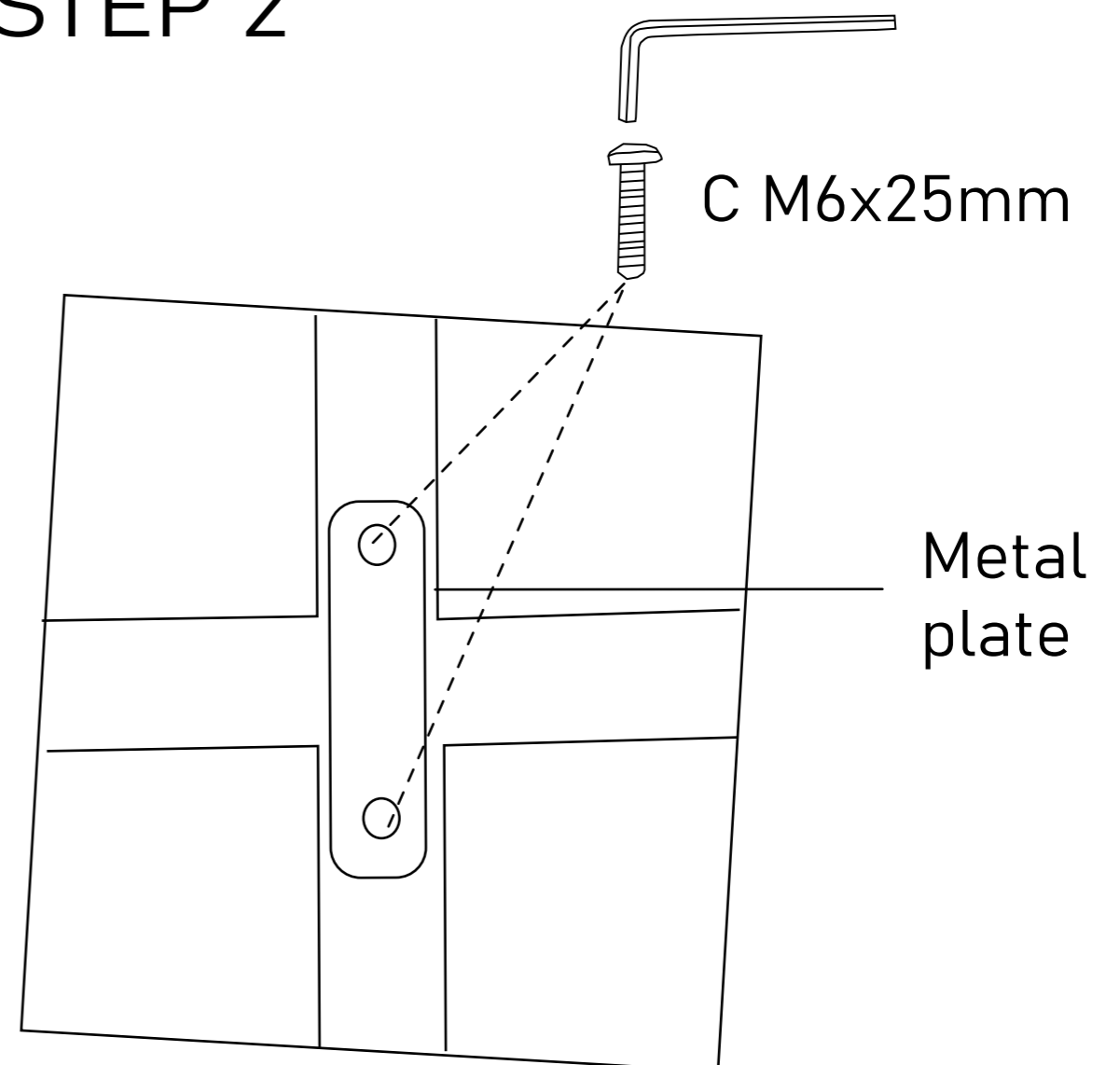


Wrench x 1

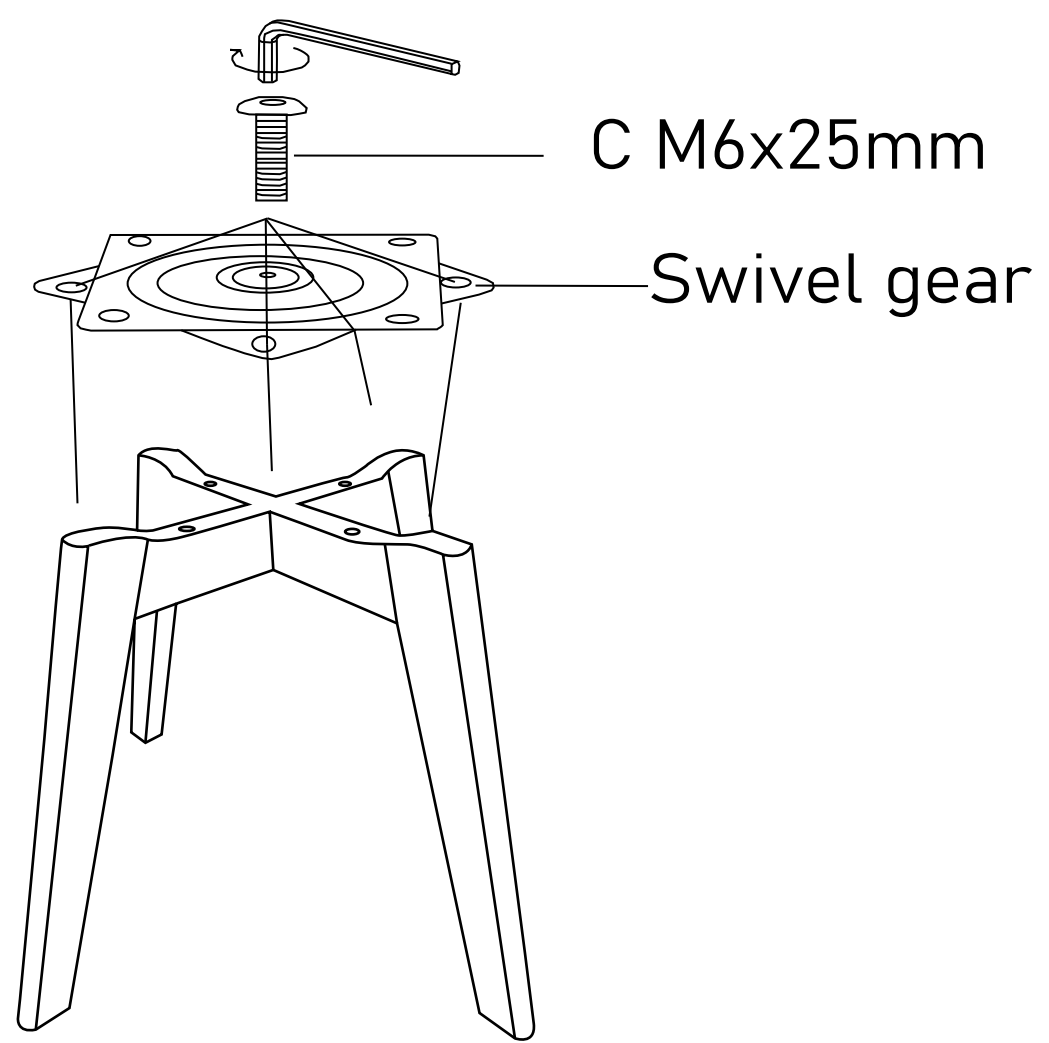
STEP 1



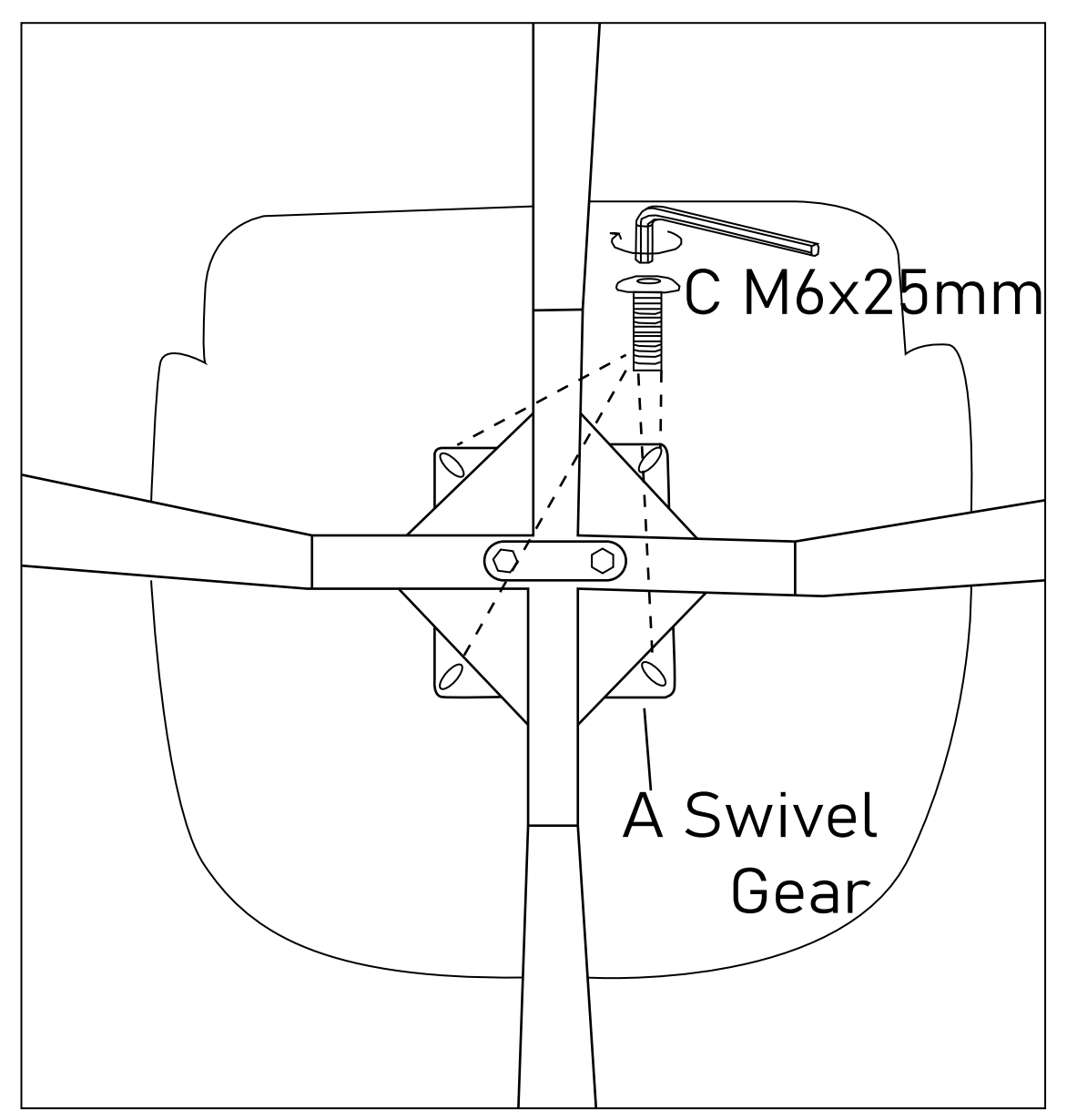
STEP 2



STEP 3



STEP 4



STEP 5

