

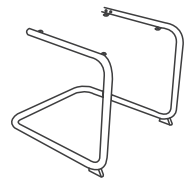
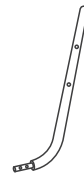
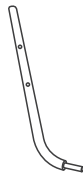
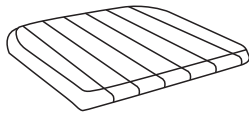
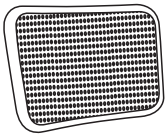
1

2

3

4

5



1	1x
2	1x
3	1x
4	1x
5	1x

A



6x20mm

8x

B



6x40mm

4x

C



∅18x6x1.5mm

4x

D



∅18x6x1.5mm

8x

E



M6

4x

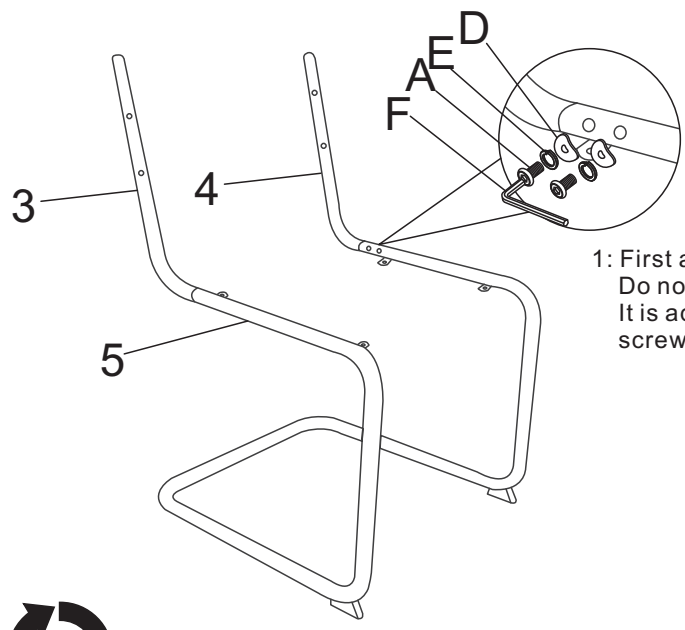
F



M4

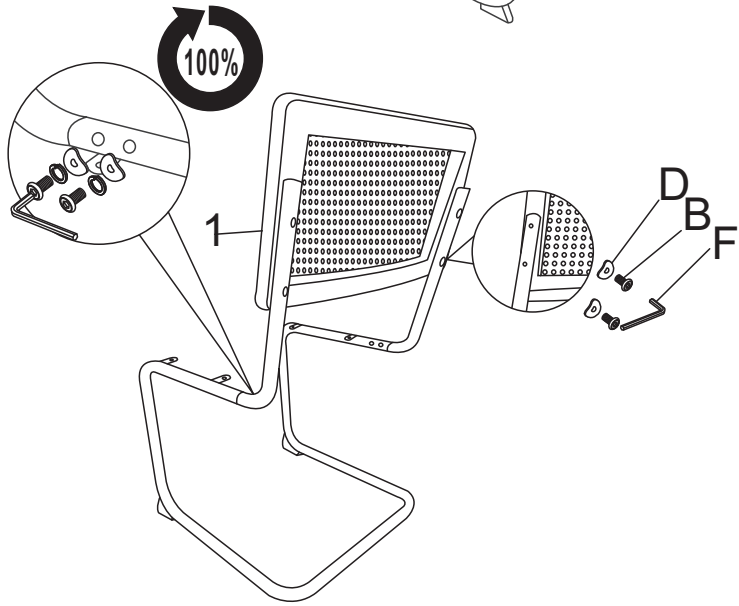
1x

1



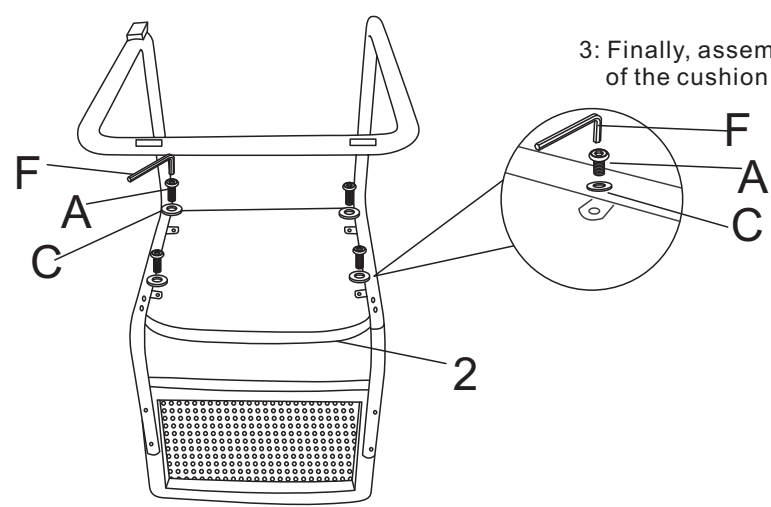
1: First assemble the backrest.
Do not lock the four screws.
It is advisable to tighten all four
screws for 3-4 turns

2



2: Then lock the four screws of the
backrest and the four screws of
the iron frame

3



3: Finally, assemble the four screws
of the cushion and lock them