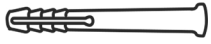
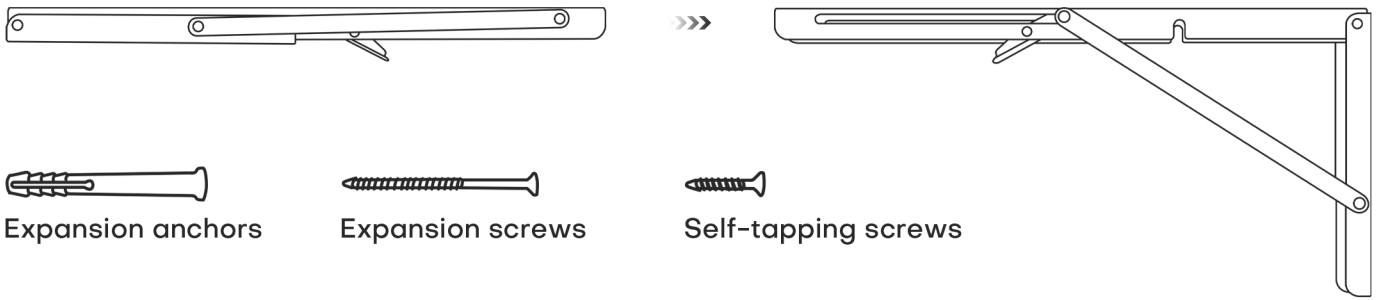
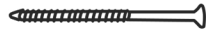


INSTALLATION DIAGRAM



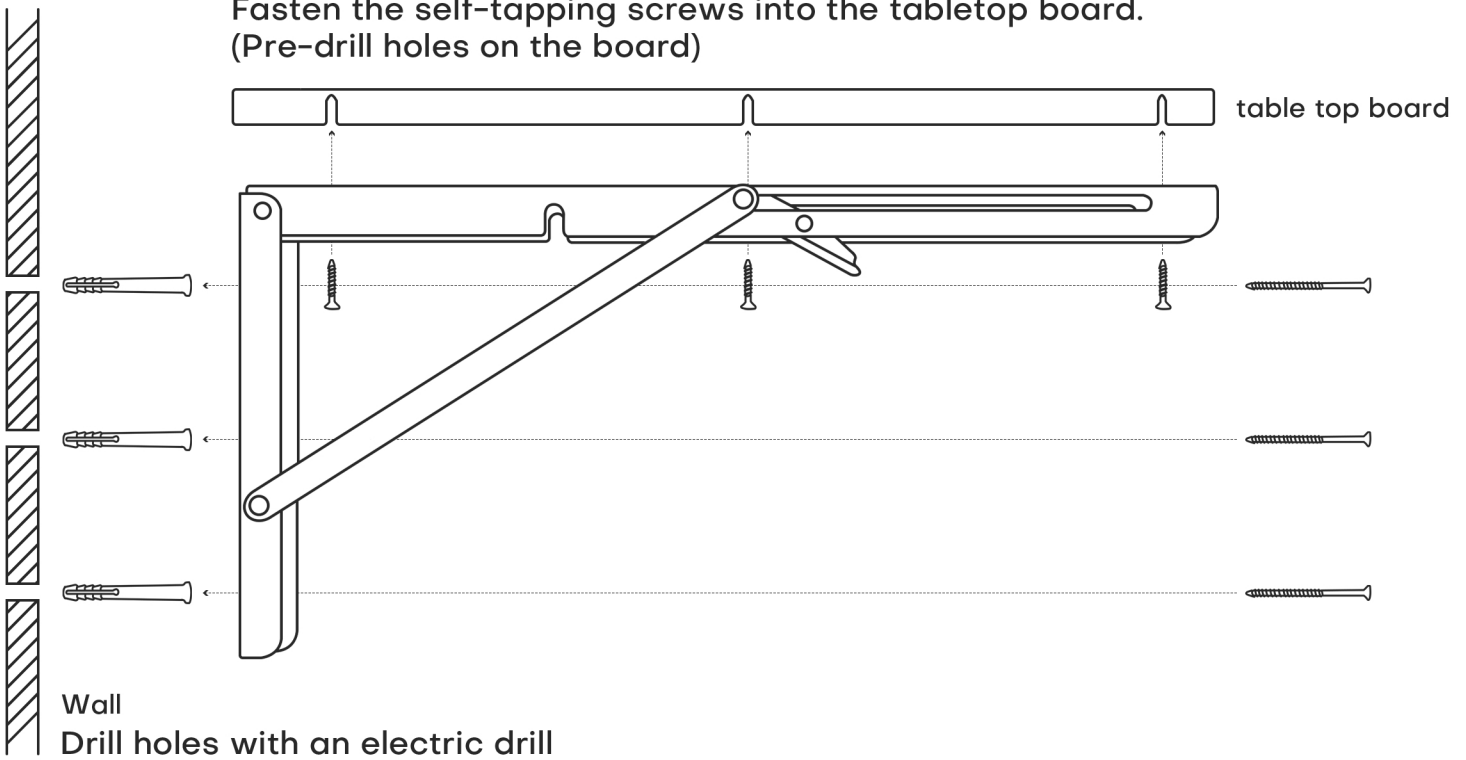
Expansion anchors



Expansion screws



Self-tapping screws



NOTE

It's better not to install it on a hollow wall, otherwise it cannot bear the weight and the bracket will fall.

