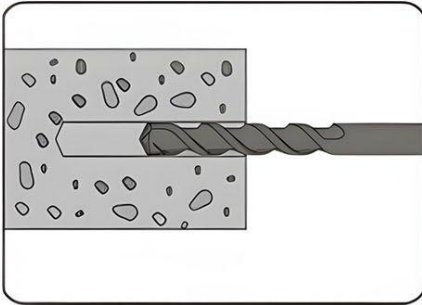
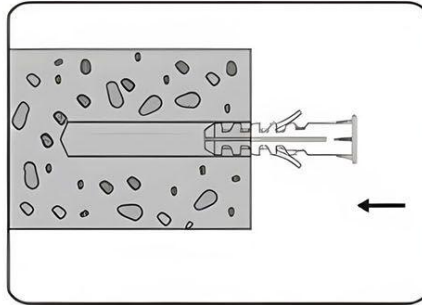


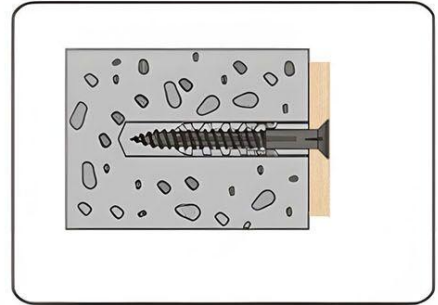
Installation Method



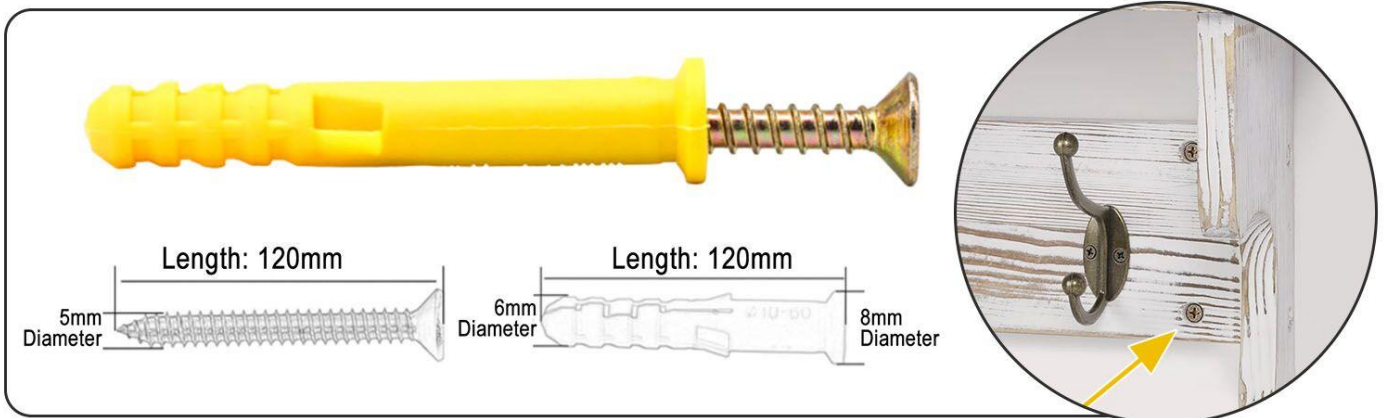
Drill holes, using 1/8" drill bit, hole depth 4.5"



Put the expansion tube into the hole and knock it tightly against the wall with a hammer



Insert the screw into the expansion tube through the hole in the storage rack and tighten the screw



Suitable for the following walls:

