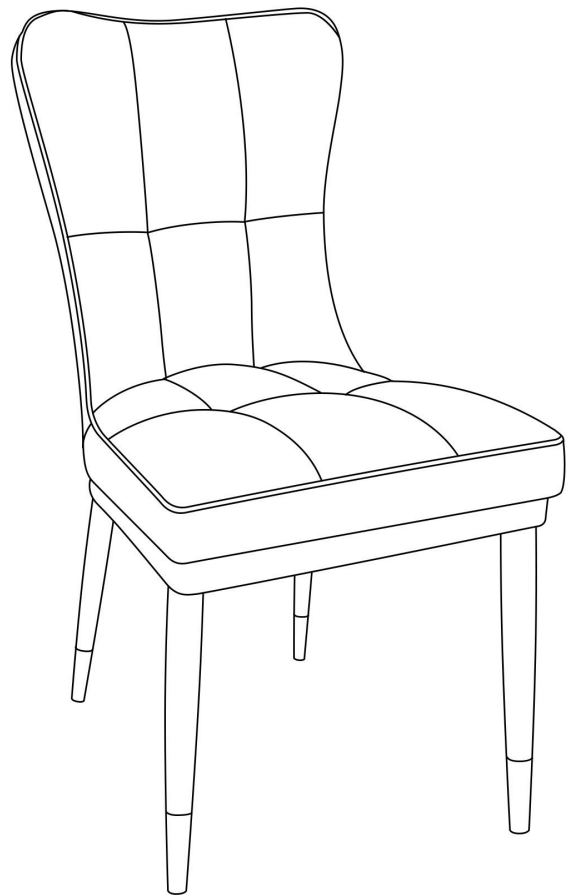
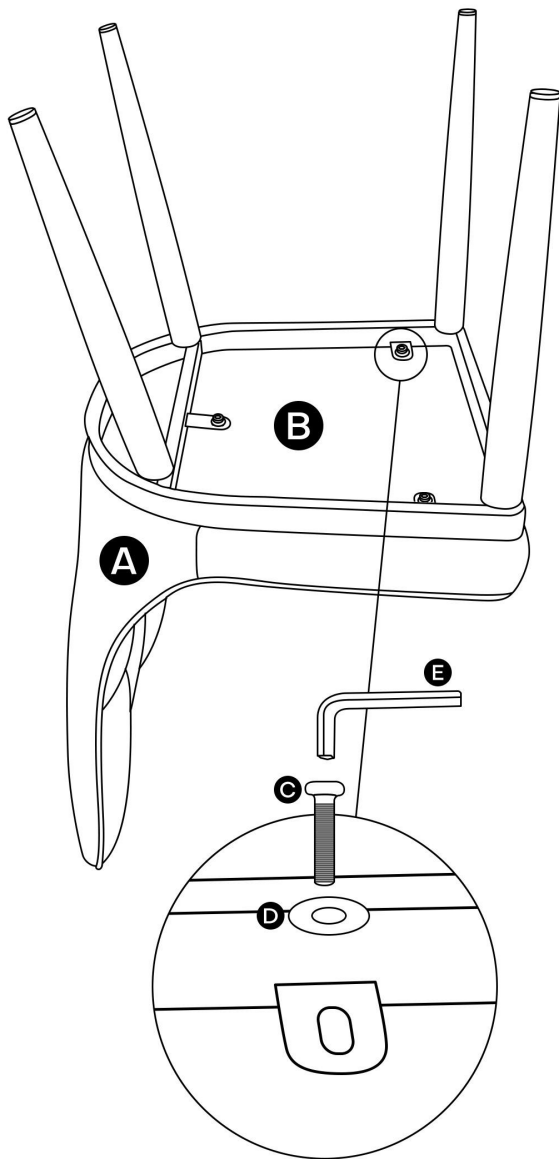


INSTALLATION INSTRUCTION

A	B	C	D	E
x1	x1	x3	x3	x1



06FTC0038