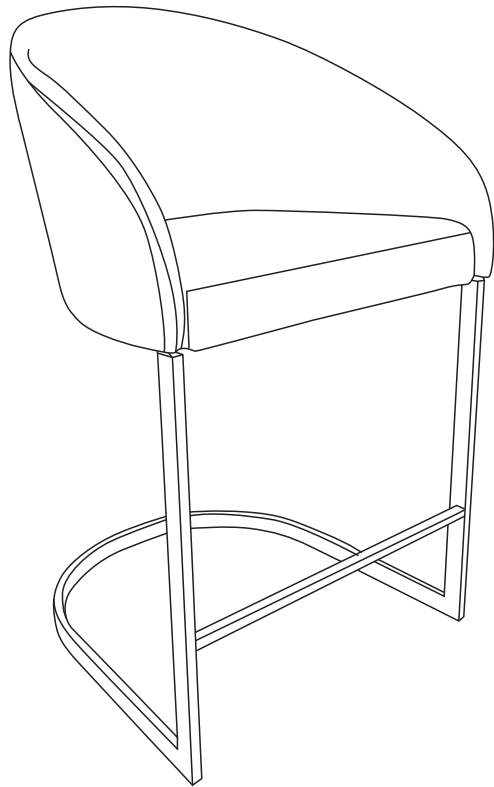
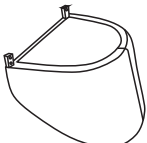



# ASSEMBLY INSTRUCTION






Counter stool  
SKU:08FTL0088



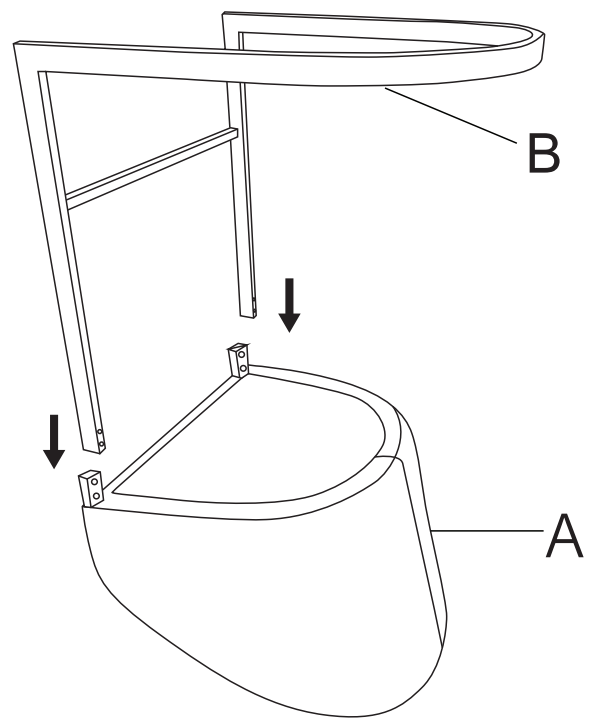
## Component List

LABEL		DESCRIPTION	QTY
A		Chair Body	1
B		Leg Frame	1

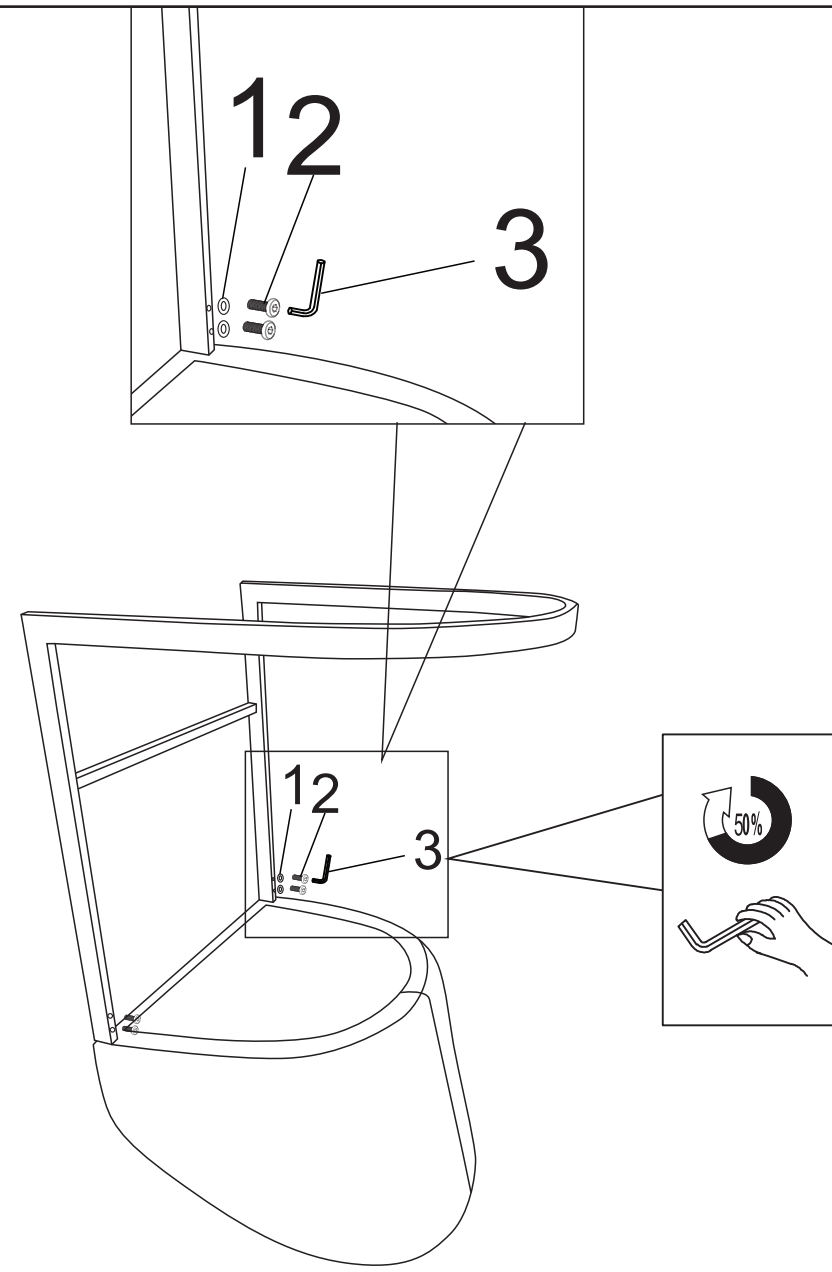
## Hardware List

LABEL		DESCRIPTION	QTY
1		Washer $\varnothing 6 \times 14 \times 1.2 \text{mm}$	5
2		Bolts M6x14mm	5
3		Allen key M5	1
4		Spare Leveller	1
5		Spare Leveller	1

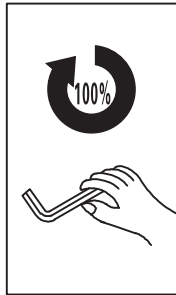
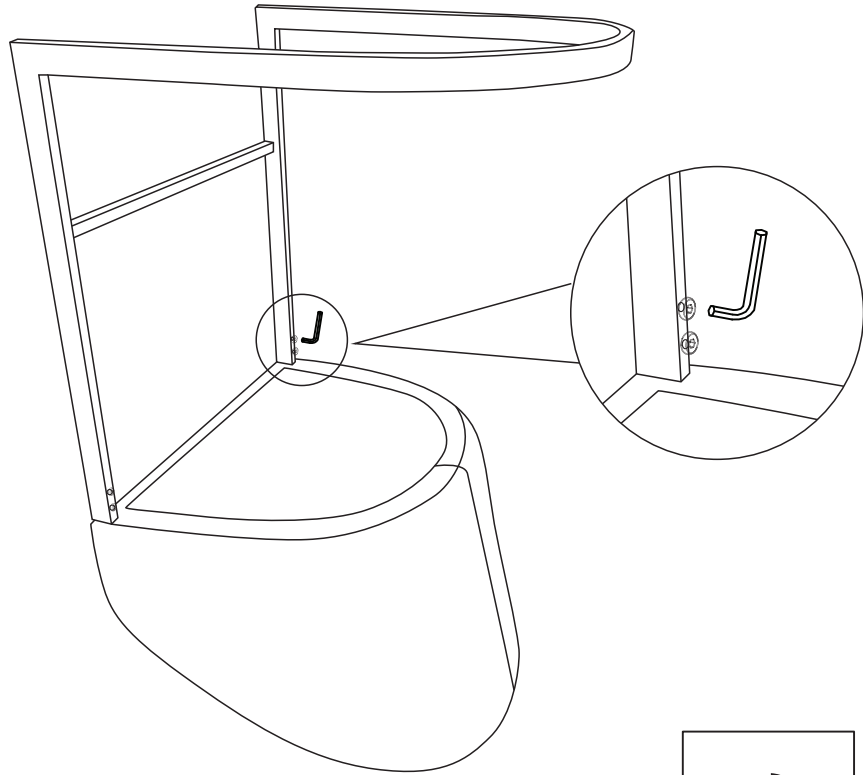
1



2



3



4

