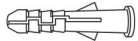


INSTALLATION INSTRUCTION

C O M P O N E N T S



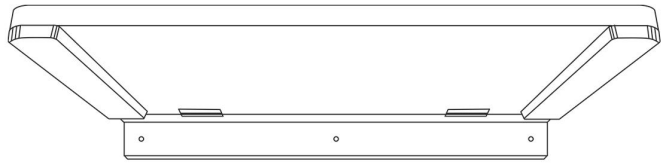
A. Perforated positioning paper for support



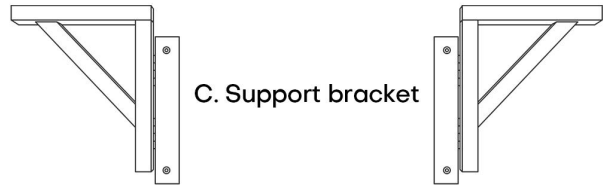
D. Expansion tube



E. Expansion screws

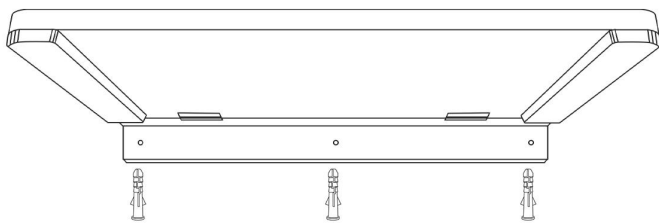


B. Table board



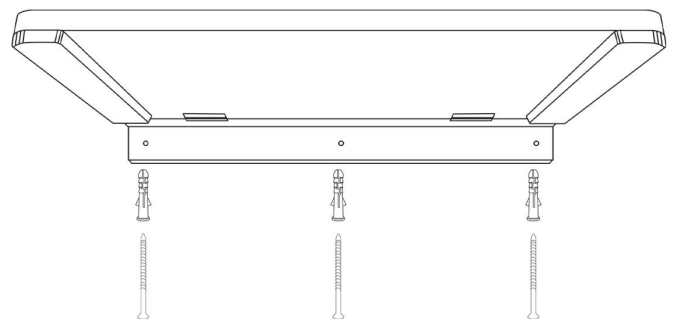
C. Support bracket

INSTALLATION STEPS \ DO NOT install on hollow walls



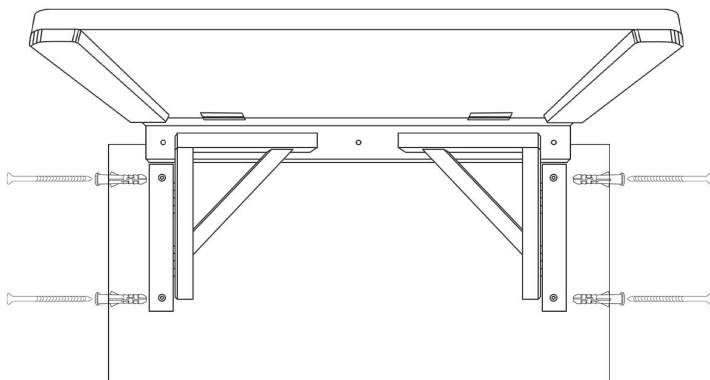
1. Determine the Height of B

Mark the three screw holes of B corresponding to the holes on the wall, drill holes at the marks (Deeper than E), tap expansion tube D.



2. Install B

Screw E into D, then fix B on the wall



3. Install C

Mark four drilling positions with A, and drill holes in the four positions (Deeper than E), then screw in E screws.



Press the brackets inward to fold the table, pull out to open the table.

