
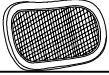





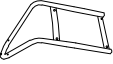





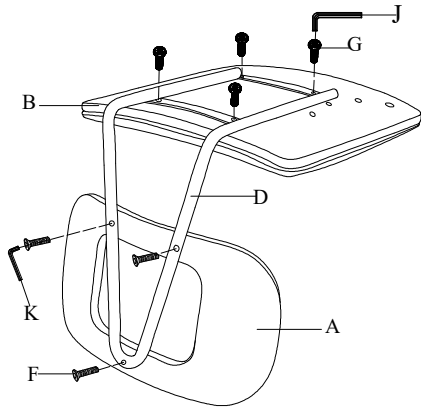


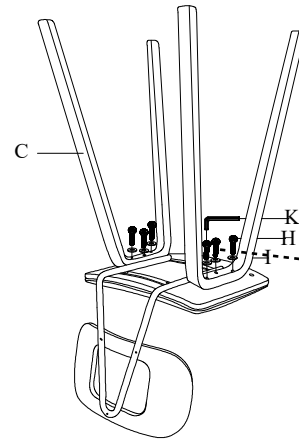
# ASSEMBLY INSTRUCTION

ITEM NO. : AM-7734-2

| KEY | QTY | DESCRIPTION   | KEY | QTY | DESCRIPTION   |
|-----|-----|---|-----|-----|---|
|     |     |   | G   | 4   |  |
| A   | 1   |  | H   | 6   |  |
| B   | 1   |  | I   | 6   |  |
| C   | 2   |  | J   | 1   |  |
| D   | 1   |  | K   | 1   |  |
| E   | 1   |  | L   | 2   |  |
| F   | 7   |  | M   | 2   |  |

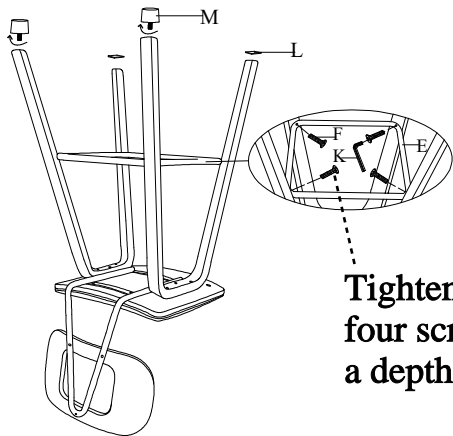


Step 1



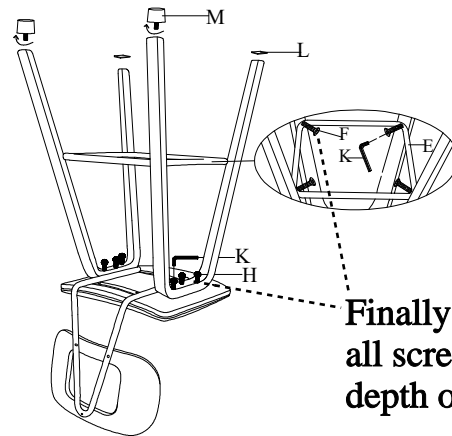
**Tighten the six screws to a depth of 50%**

Step 2



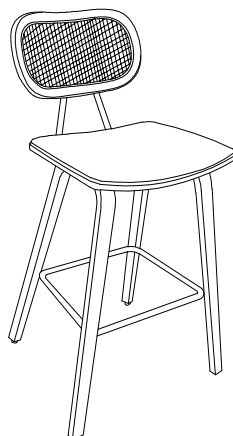
**Tighten the four screws to a depth of 50%**

Step 3



**Finally Tighten all screws to a depth of 100%**

Step 4



Step 5