
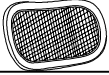





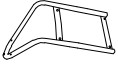





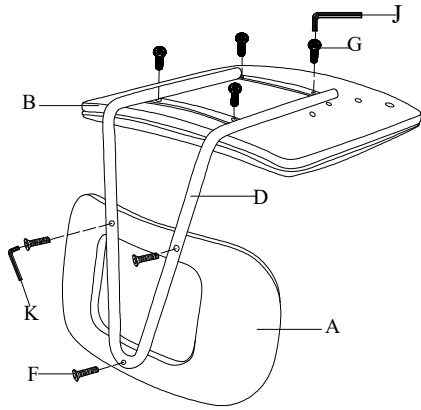


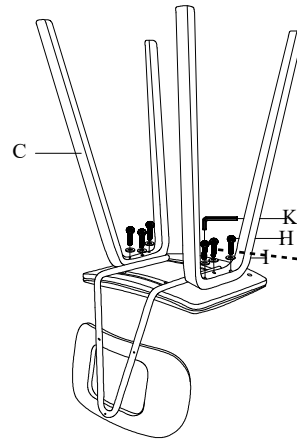
# ASSEMBLY INSTRUCTION

ITEM NO. : AM-7734-2

KEY	QTY	DESCRIPTION	KEY	QTY	DESCRIPTION
			G	4	
A	1		H	6	
B	1		I	6	
C	2		J	1	
D	1		K	1	
E	1		L	2	
F	7		M	2	

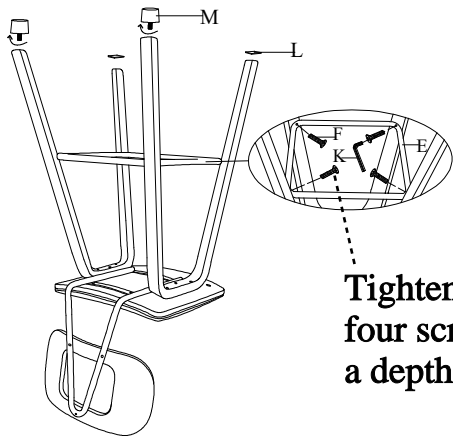


Step 1



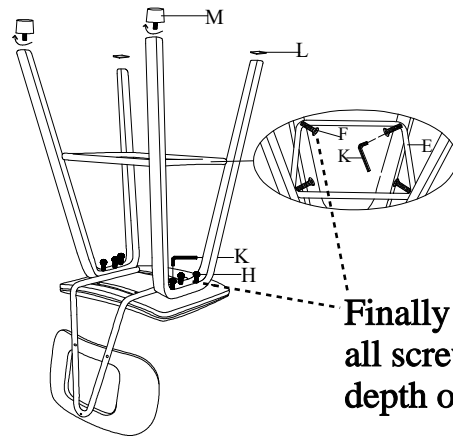
**Tighten the six screws to a depth of 50%**

Step 2



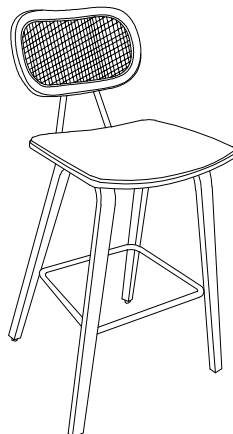
**Tighten the four screws to a depth of 50%**

Step 3



**Finally Tighten all screws to a depth of 100%**

Step 4



Step 5