

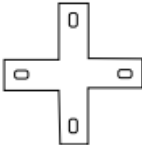
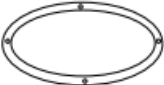




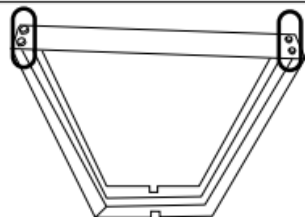


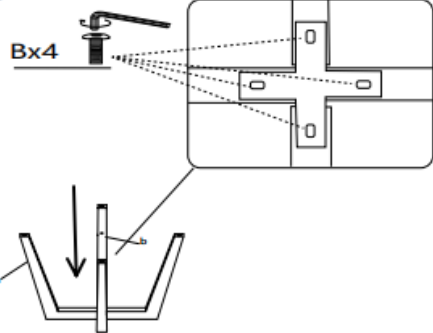
Assemble Manual

 <p>Seat x 1</p>	 <p>Leg(a) x 1 Leg(b) x 1</p>	 <p>Connecting Plate x 1</p>	 <p>Footrest x 1</p>
 <p>Swivel gear x 1</p>	 <p>Ax4 M5x30mm</p>	 <p>Bx12 M5x20mm</p>	 <p>Dx1 Wrench</p>

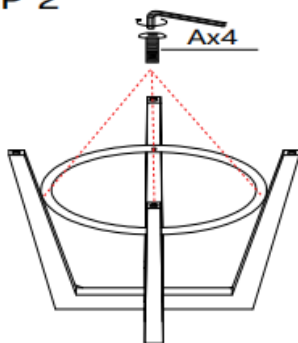


NOTE: Remove the supporting stick by unscrew 4 adjustable knobs. Screw 4 adjustable knobs back to the feet holes.

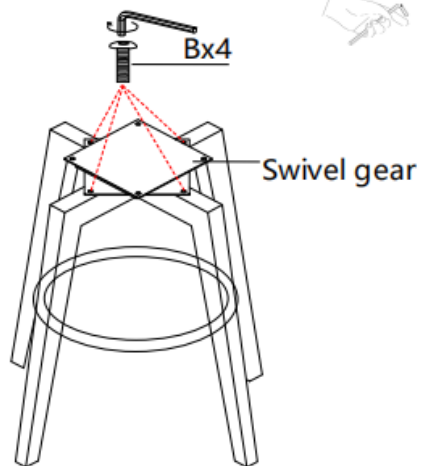
STEP 1



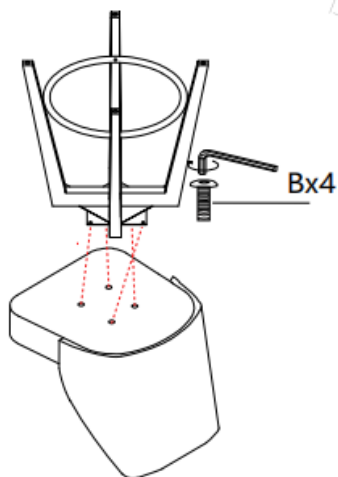
STEP 2



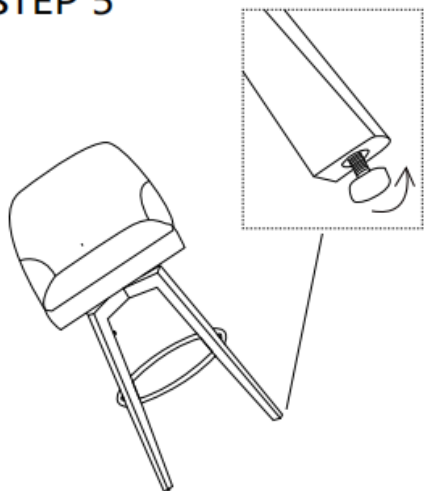
STEP 3



STEP 4



STEP 5



Rotate it to ensure the chair is flat on the floor !

