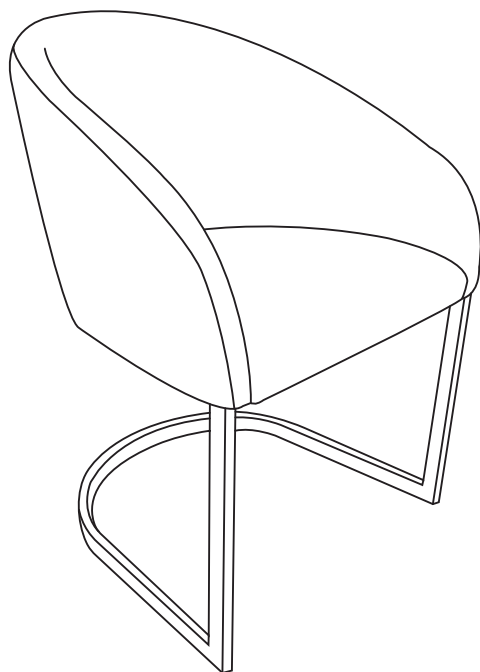




ASSEMBLY INSTRUCTION






Dining chair
SKU:08FTC0087



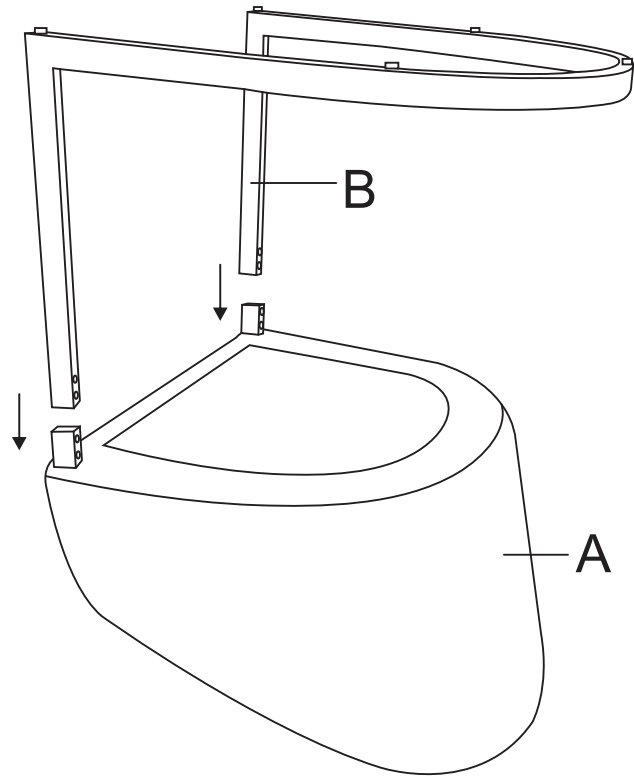
Component List

LABEL		DESCRIPTION	QTY
A		Chair Body	1
B		Leg Frame	1

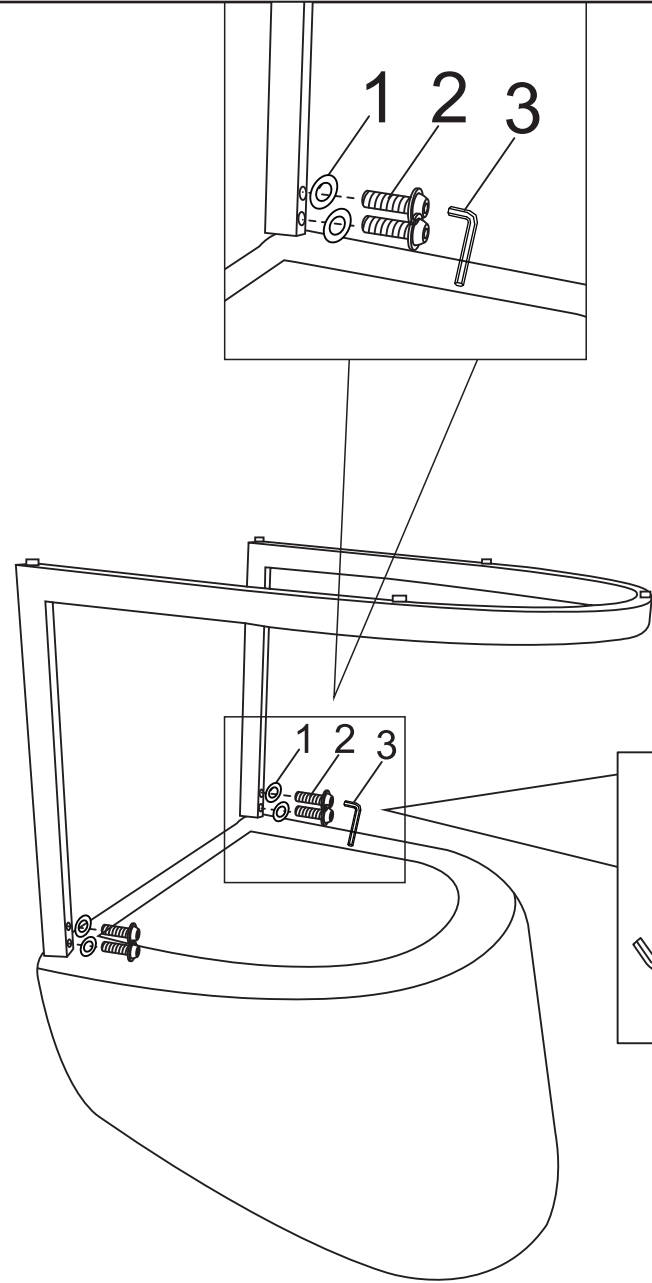
Hardware List

LABEL		DESCRIPTION	QTY
1		Washer $\varnothing 6 \times 14 \times 1.2 \text{mm}$	5
2		Bolts M6 \times 14mm	5
3		Allen key M5	1
4		Spare Leveller	1
5		Spare Leveller	1

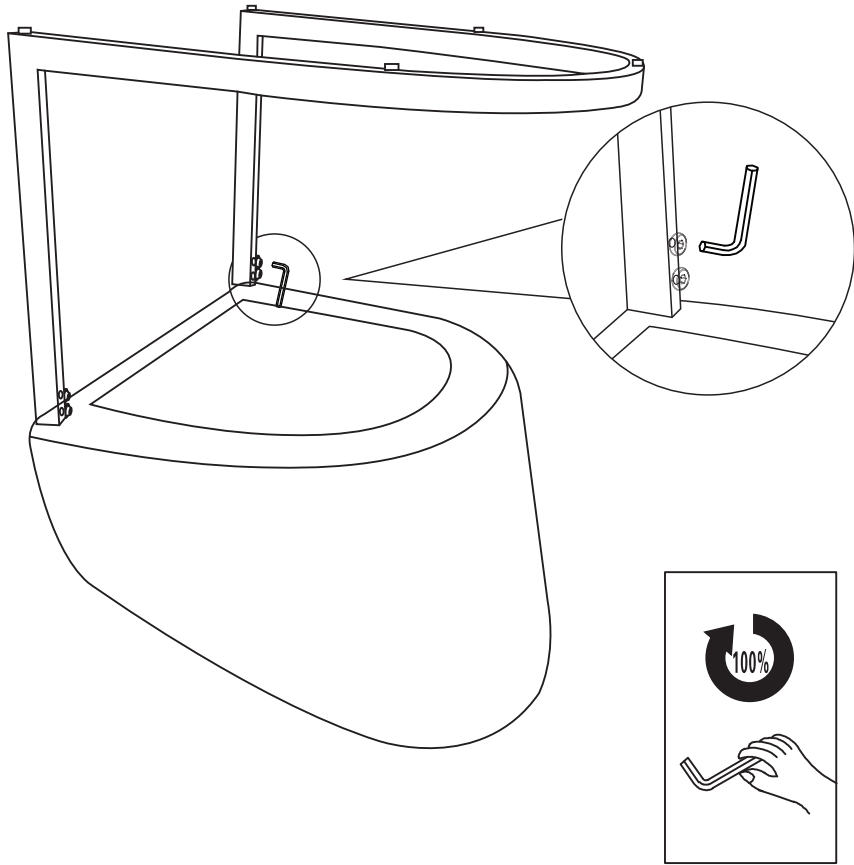
1



2



3



4

