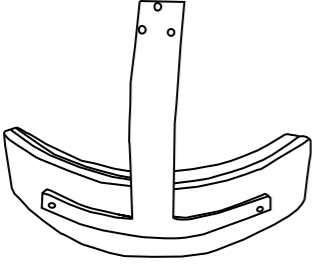
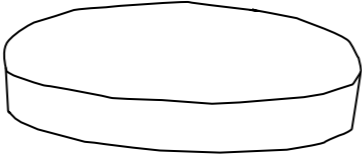
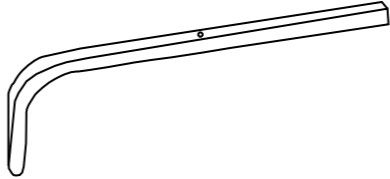
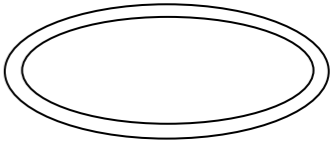
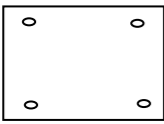
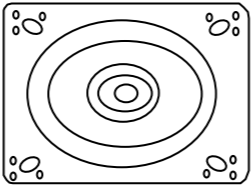
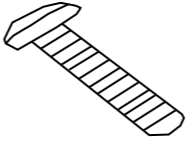
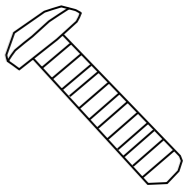

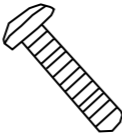

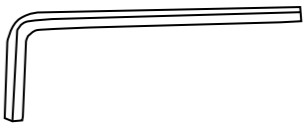
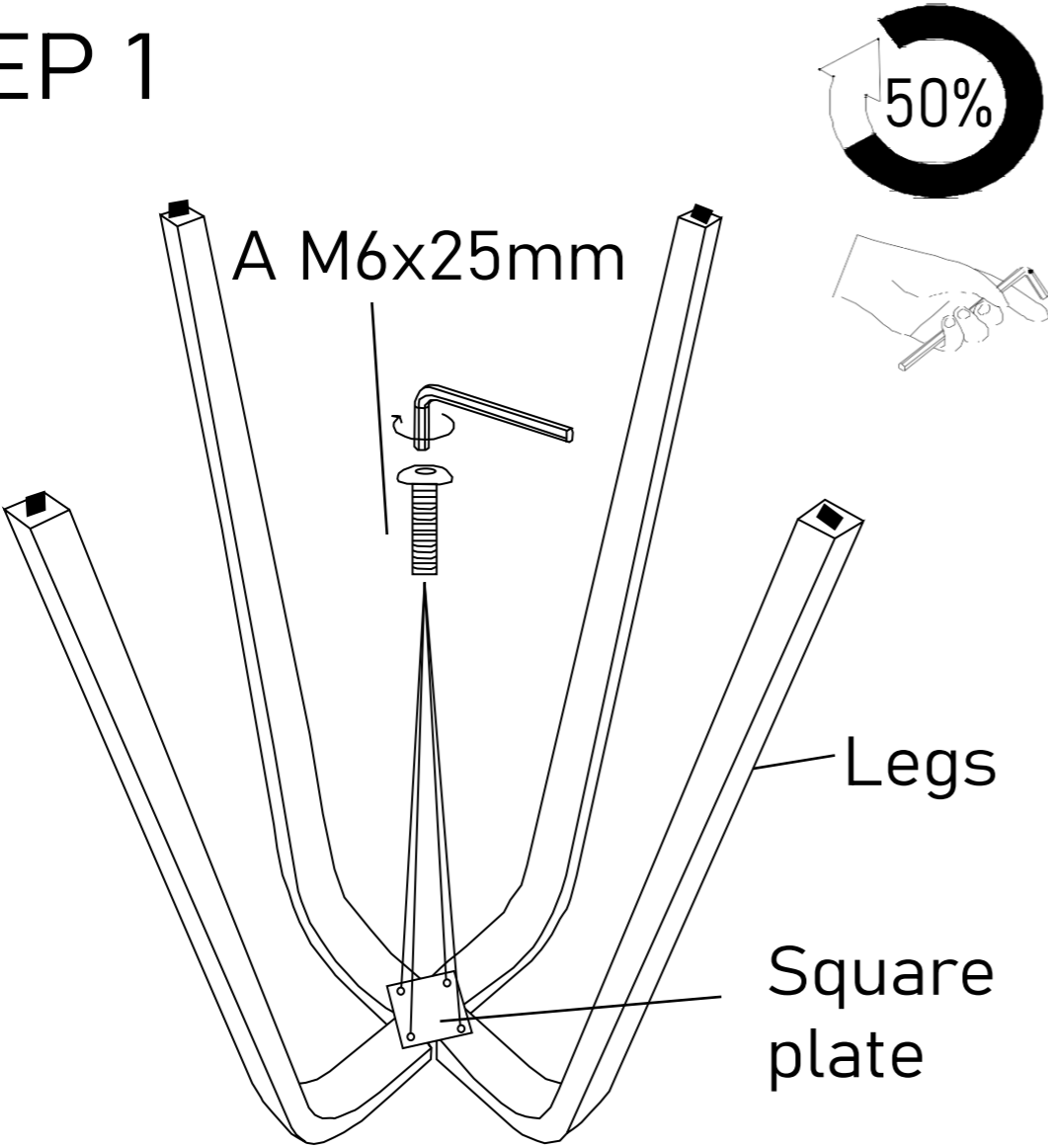


# Assemble Manual

 <p>Backrest x 1</p>	 <p>Seat x 1</p>	 <p>Wood legs x 4</p>	 <p>Footrest x 1</p>
 <p>Square plate x 1</p>	 <p>Swivel gear x 1</p>	<p>Ax8</p>  <p>M6x25mm</p>	<p>Bx4</p>  <p>M6x25mm</p>
<p>Cx4</p>  <p>M6x16mm</p>	<p>Dx3</p>  <p>M6x20mm</p>	<p>Ex4</p>  <p>Caps</p>	<p>Fx1</p>  <p>Wrench</p>

## STEP 1

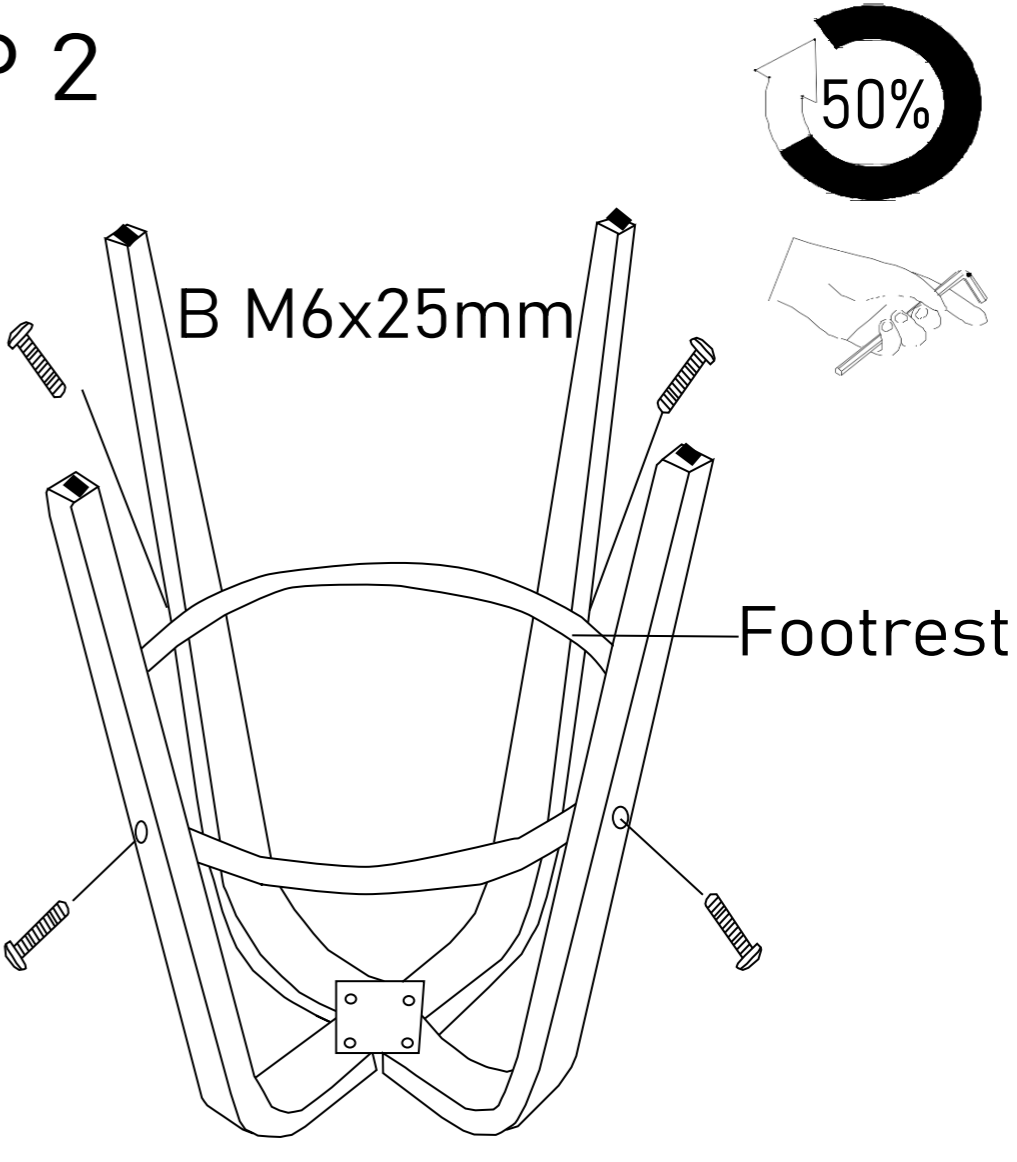


A M6x25mm

Legs

Square plate

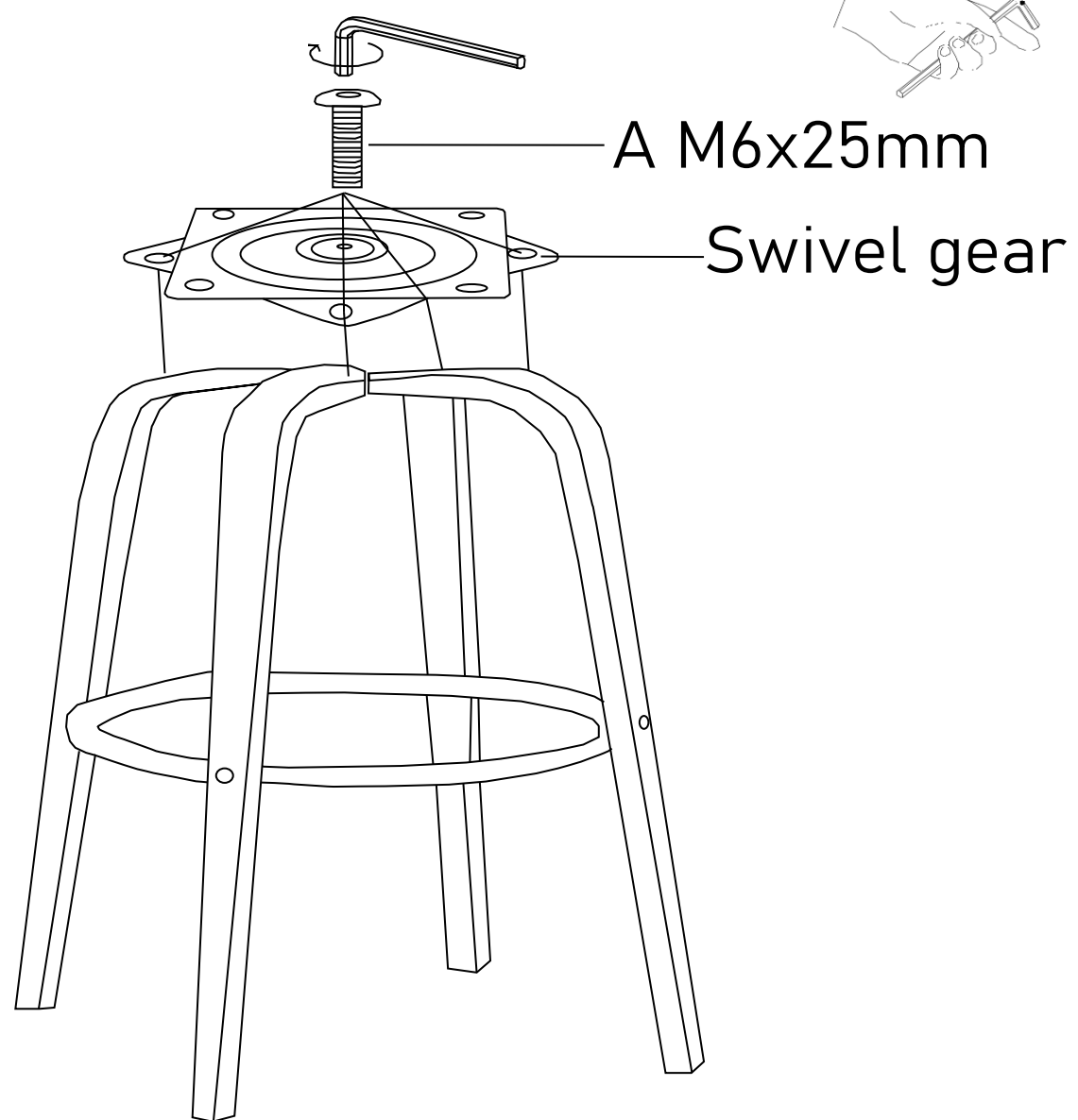
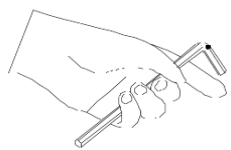
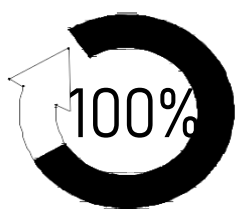
## STEP 2



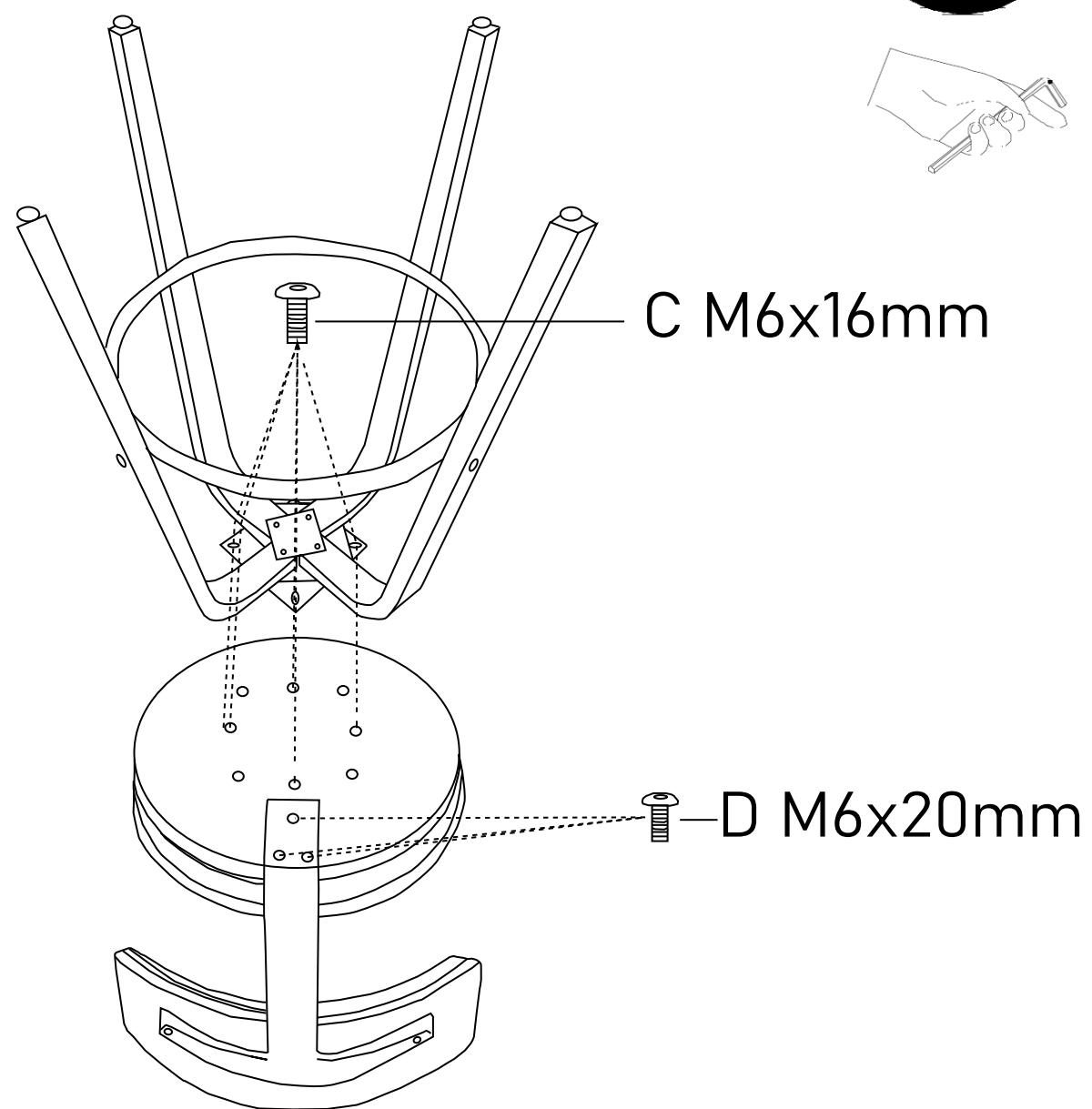
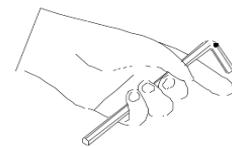
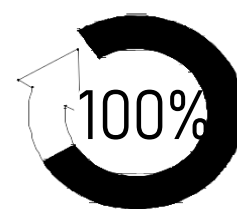
B M6x25mm

Footrest

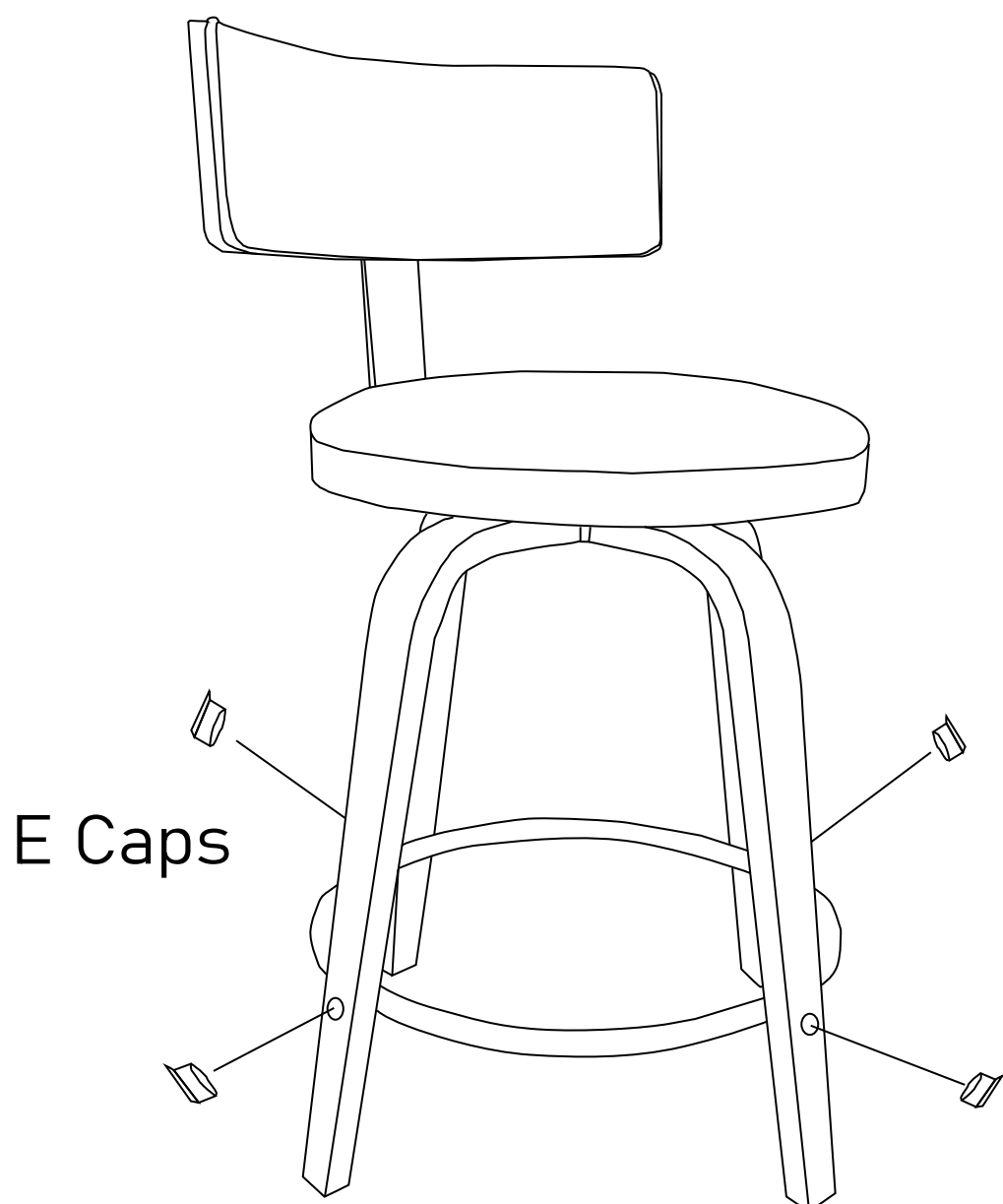
# STEP 3



# STEP 4



# STEP 5



# STEP 6

