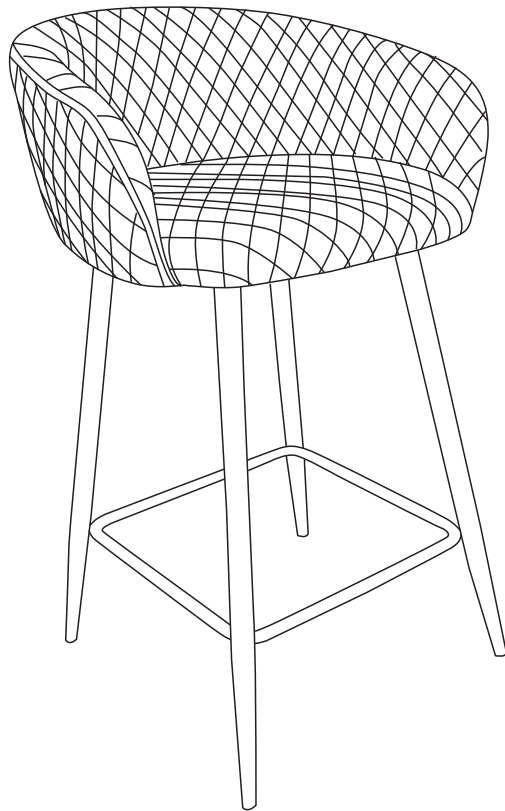
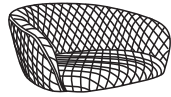


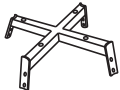


ASSEMBLY INSTRUCTION




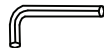





Counter stool
SKU: 08FTC0089



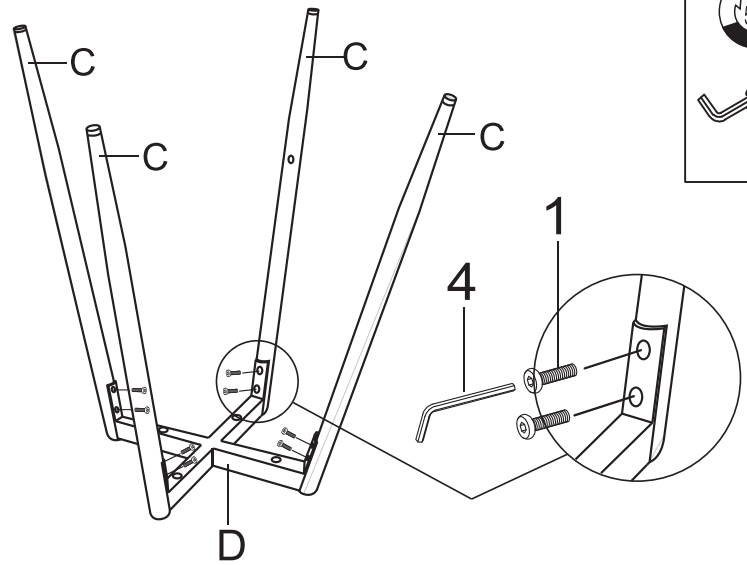
Component List

LABEL		DESCRIPTION	QTY
A		Chair Body	1
B		Pedal	1
C		Leg	4
D		Leg Frame	1

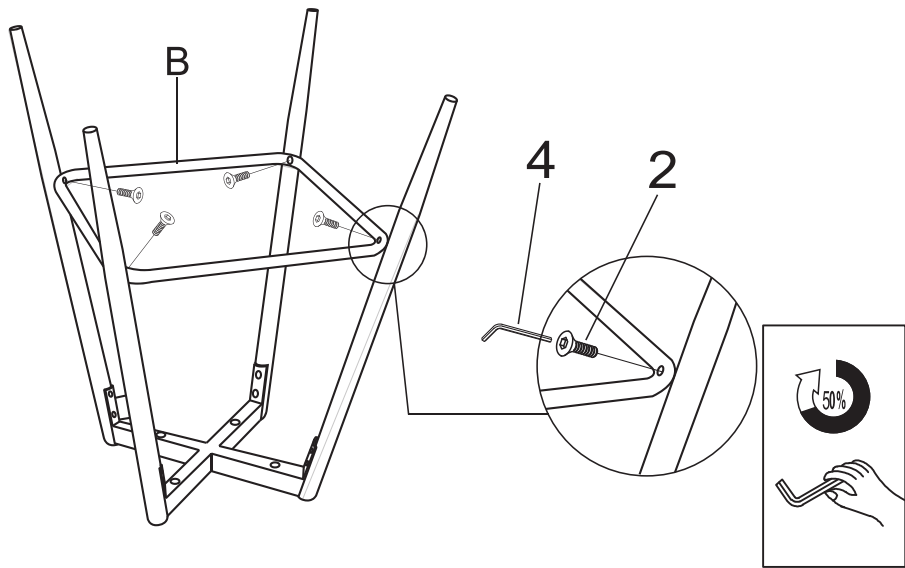
Hardware List

LABEL		DESCRIPTION	QTY
1		Bolts M6x16mm	9
2		Bolts M6x25mm	5
3		Bolts M6x50mm	3
4		Allen key M4	1
5		Washer	3
6		Washer Ø 6x14x1.2mm	5
7		Spare Levellor	5
8		Bolts M6x55mm	3
9		Spare Levellor	1

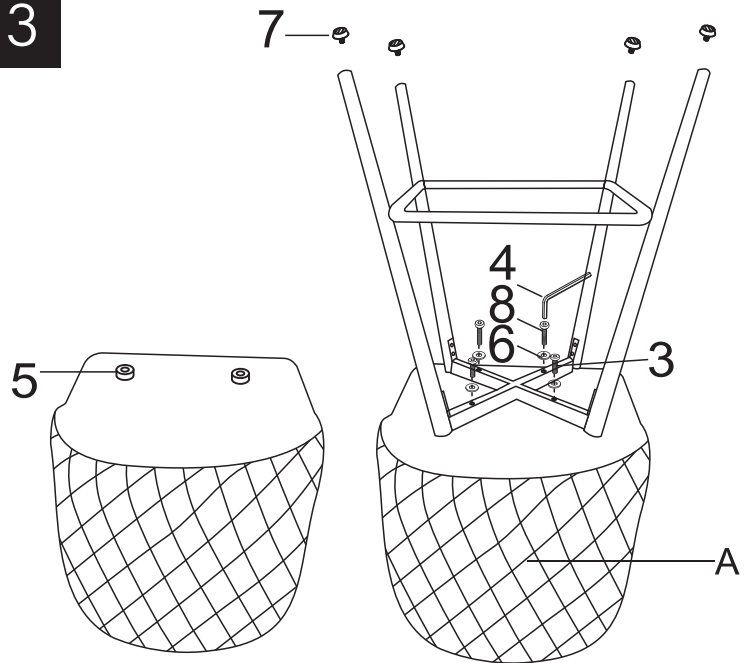
1



2



3



4

