

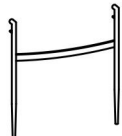
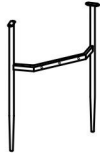
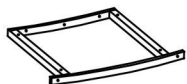




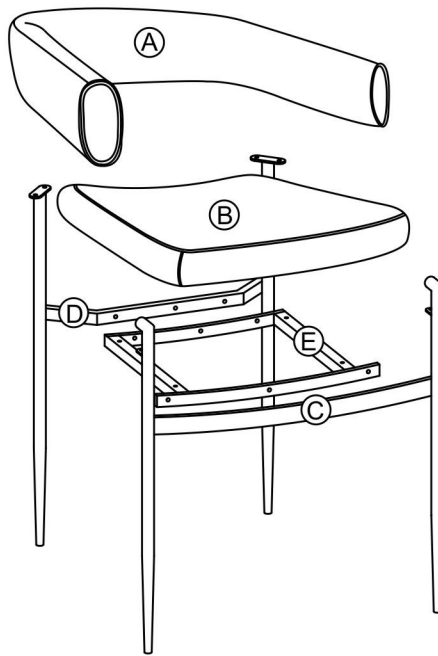
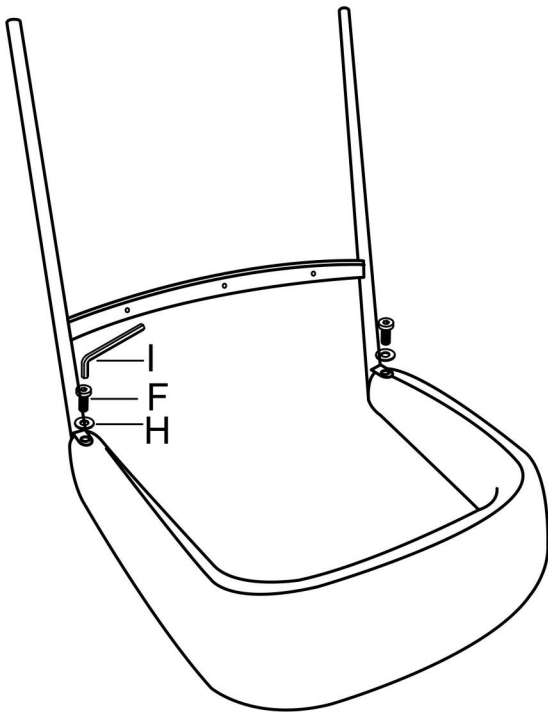





| | | | | | | | | | | |
|---|-----|---|----|---|-----|---|---|---|--|---|
| A | x1 | B | x1 | C | x1 |  |  |  |  |  |
| F | x12 | G | x4 | H | x16 |  6X20mm |  6X40mm |  |  | |

PART LIST

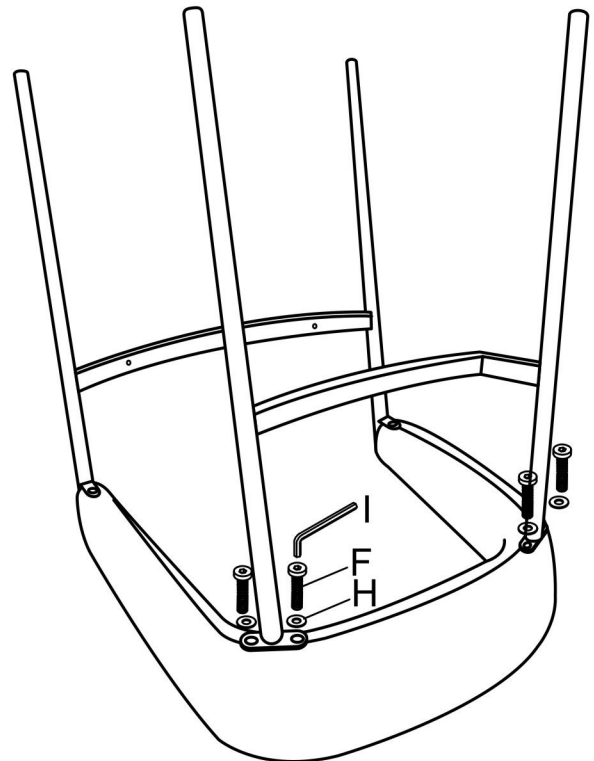





STEP 1



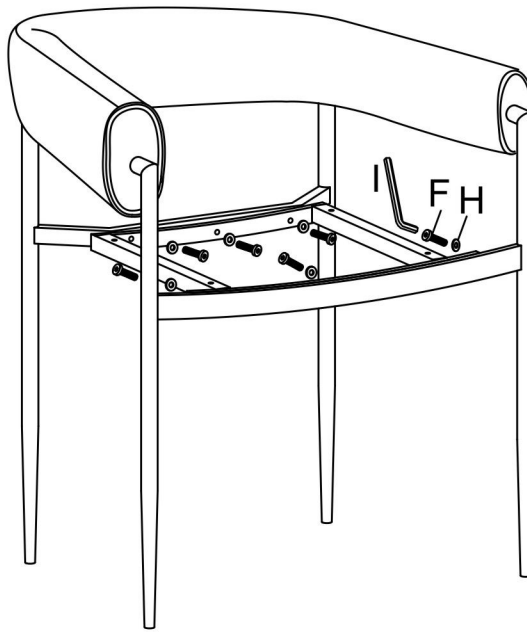
| F | x2 | H | x2 | I | x1 |
|---|----|---|----|---|----|
|  | |  | |  | |
| 6X20mm | | | | | |




STEP 2



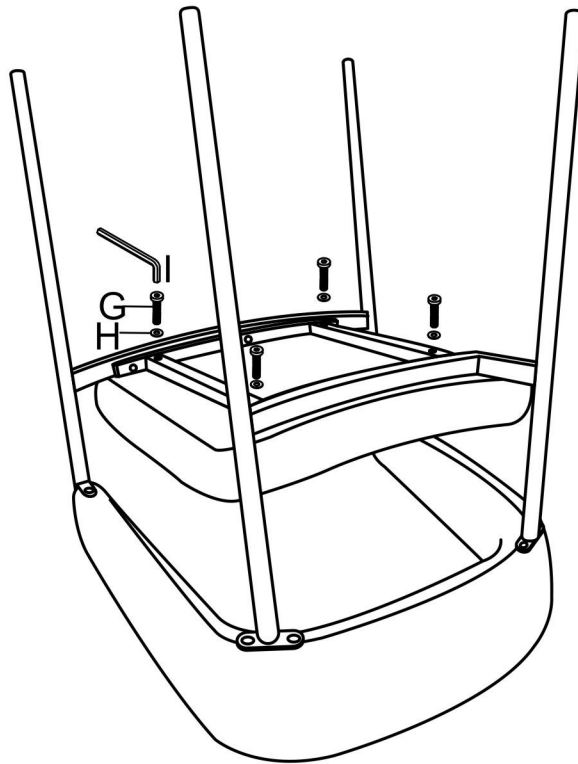
| F | x4 | H | x4 | I | x1 |
|---|----|---|----|---|----|
|  | |  | |  | |
| 6X20mm | | | | | |




STEP 3



| | | | | | |
|--|----|--|----|--|----|
| F | x6 | H | x6 | I | x1 |
|  | |  | |  | |
| 6X20mm | | | | | |

STEP 4



| | | | | | |
|---|----|---|----|---|----|
| G | x4 | H | x4 | I | x1 |
|  | |  | |  | |
| 6X40mm | | | | | |