



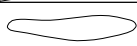




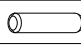


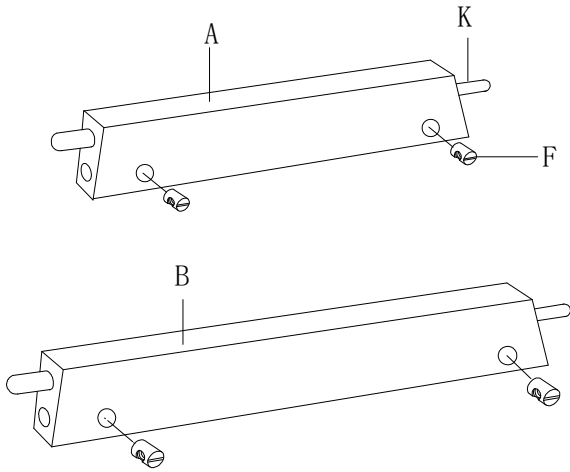


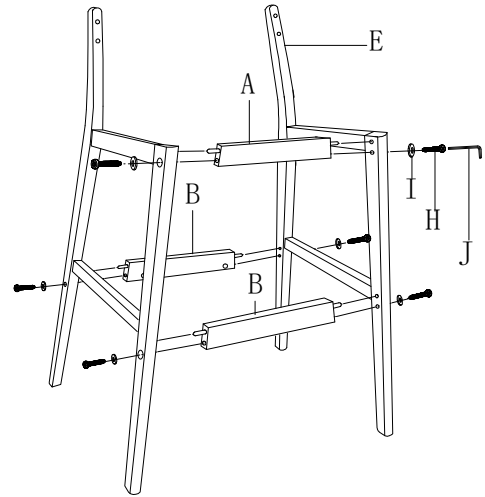
ASSEMBLY INSTRUCTION

ITEM NO. :AM-5026-3

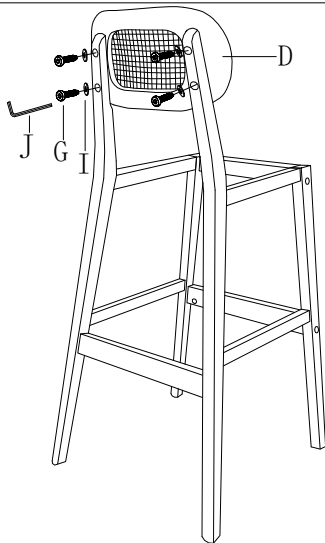
KEY	QTY	DESCRIPTION	KEY	QTY	DESCRIPTION
A	1	 Short	G	4	 M6*25mm
B	2	 Long	H	8	 M6*55mm
C	1		I	12	
D	1		J	1	
E	2		K	6	
F	6		L	4	



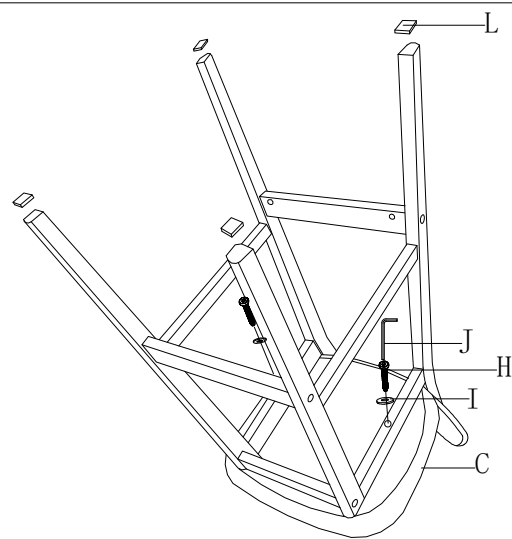
STEP 1



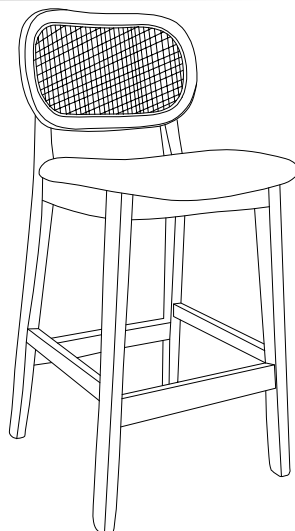
STEP 2



STEP 3



STEP 4



STEP 5